

GN 868.1

EXTENDED RANGE

Holders for clamping jaws

RoHS

• Material

Black-oxide steel C45.

• Parts included in the supply

Hexagon socket head cap screws DIN 912 and guide bushes GN 870 (see page 672).

• Clamping jaws

- Version **R**: clamping jaws at right angle to clamping arm.
- Version **P**: clamping jaws parallel to clamping arm.

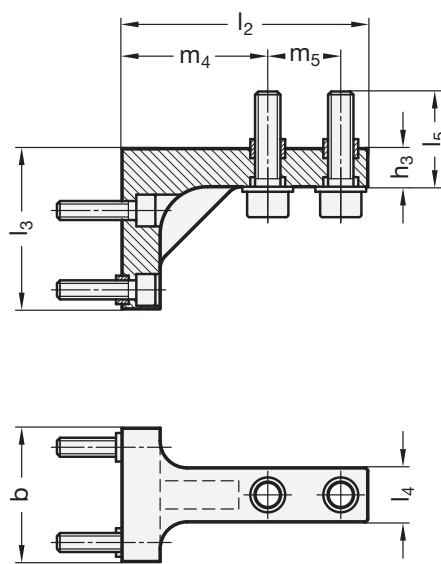
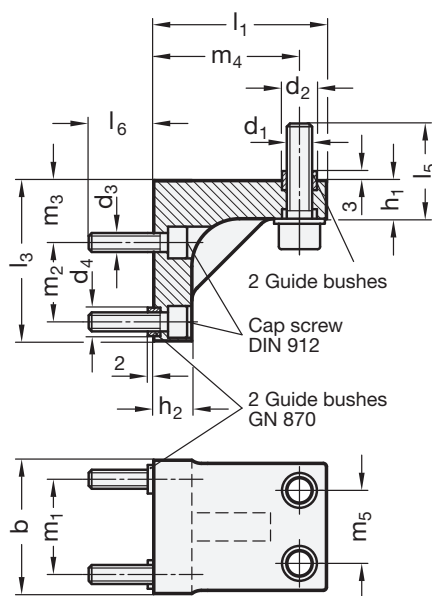
Features and applications

The holders for clamping jaws GN 868.1 have been designed for use with power clamps GN 864 (see page 660).

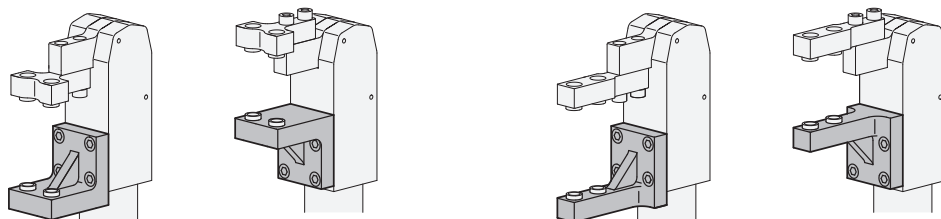
Clamping jaw holders are equally precisely positioned on the clamping arm as are the clamping jaws GN 872 (see page 670) on the holders themselves.



MISATJ



Mounting examples



Standard Elements	Main dimensions															△△				
Description	b -0.2	d1	d2 H8/h6	d3	d4 H8/h6	h1	h2	h3	l1	l2	l3	l4	l5	l6	m1	m2	m3	m4	m5	g
GN 868.1-32-R	32	M6	9	M5	7	10	10	-	38	-	37	-	18.5	7.5	22	17	15	31.5	-	100
GN 868.1-32-P	32	M6	9	M5	7	-	10	10	-	55	37	13	18.5	7.5	22	17	15	31.5	17	190
GN 868.1-42-R	42	M8	11	M6	9	12	12	-	54.5	-	50.5	-	23.5	10	30	25	19.5	45.9	-	360
GN 868.1-42-P	42	M8	11	M6	9	-	12	14	-	77.5	50.5	17	23.5	10	30	25	19.5	45.9	23	280
GN 868.1-52-R	52	M10	13	M8	11	14	14	-	63	-	61	-	28	13.5	37	30	23.5	53	-	650
GN 868.1-52-P	52	M10	13	M8	11	-	14	16	-	93	61	20	28	13.5	37	30	23.5	53	30	450
GN 868.1-62-R	62	M10	13	M10	13	16	14	-	73.5	-	83.5	-	27	13.5	44	47	27	62.5	-	730
GN 868.1-62-P	62	M10	13	M10	13	-	14	18	-	113.5	85.5	20	29	13.5	44	47	27	62.5	40	780