

Holders for clamping jaws



Material

Black-oxide steel C45.

Parts included in the supply

Hexagon socket head cap screws DIN 912 and guide bushes GN 870 (see page 672).

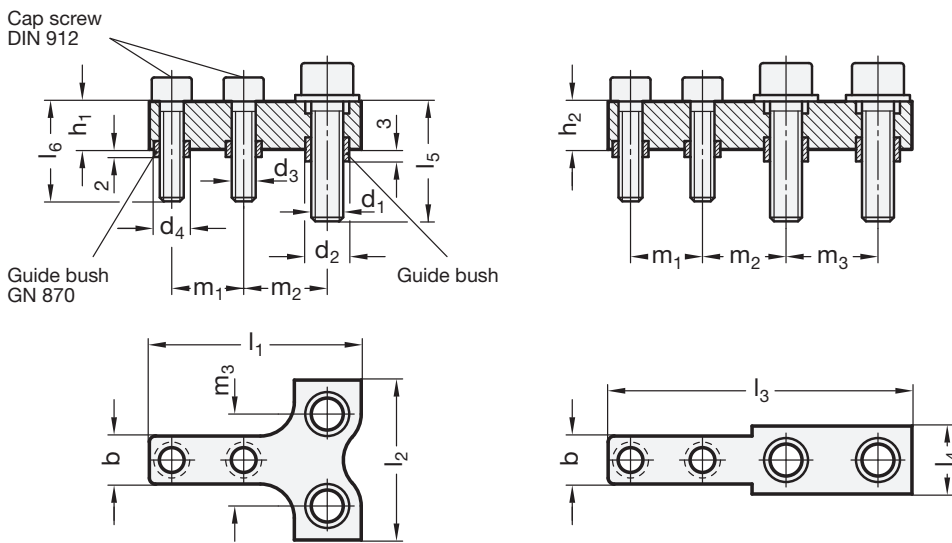
Clamping jaws

- Version **R**: clamping jaws at right angle to clamping arm.
- Version **P**: clamping jaws parallel to clamping arm.

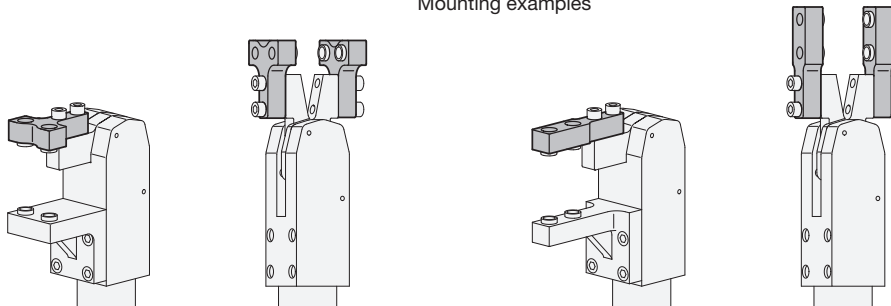
Features and applications

The clamping jaw holders GN 868 are suitable for the clamping arms of the power clamps GN 864 (see page 660), GN 865 (see page 661) and GN 866 (see page 662).

Clamping jaw holders are equally precisely positioned on the clamping arm as are the clamping jaws GN 872 (see page 670) on the holders themselves.



Mounting examples



Standard Elements	Main dimensions															△△	
Description	b -0.2	d	d2 H8/h6	d3	d4 H8/h6	h1	h2	l1	l2	l3	l4	l5	l6	m1	m2	m3	g
GN 868-10-R	10	M6	9	M5	7	10	-	37	30	-	-	18.5	19.5	12	14.5	17	30
GN 868-10-P	10	M6	9	M5	7	-	10	-	-	54	13	18.5	19.5	12	14.5	17	30
GN 868-12-R	12	M8	11	M6	9	12	-	53	40	-	-	23.5	29.5	18	20.9	23	120
GN 868-12-P	12	M8	11	M6	9	-	14	-	-	76	17	23.5	29.5	18	20.9	23	80
GN 868-16-R	16	M10	13	M8	11	14	-	63	50	-	-	28	34	22	23.5	30	190
GN 868-16-P	16	M10	13	M8	11	-	16	-	-	93	20	28	34	22	23.5	30	170
GN 868-18-R	18	M10	13	M10	13	16	-	73	60	-	-	28	34	27	28.5	40	200
GN 868-18-P	18	M10	13	M10	13	-	18	-	-	113	20	28	34	27	28.5	40	250