

GN 867.1

EXTENDED RANGE

Static holders

RoHS

Material

Black-oxide steel C45.

Parts included in the supply

Hexagon socket head cap screws DIN 912 and guide bushes GN 870 (see page 672).

Clamping bolts

- Type **E**: for one clamping bolt.
- Type **Z**: for two clamping bolts.

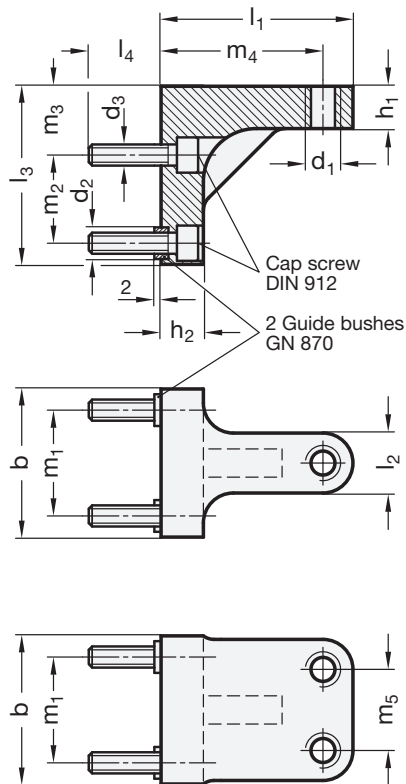
Features and applications

The static holders GN 867.1 have been designed for use with power clamps GN 864 (see page 660).

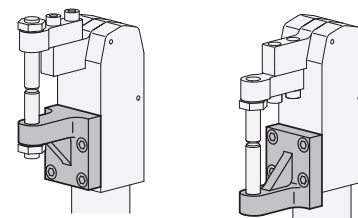
Static holders with two clamping bolts (type **Z**) are preferably used for rigid clamping of sheet metal components. For the same purpose Ball point screws GN 605 (see catalogue 038, page 591) with serrated ball pads are also suitable.



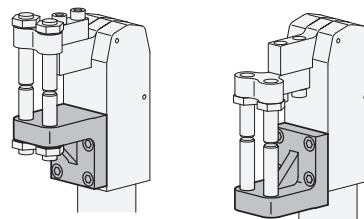
MISATI



Mounting examples



Type E



Type Z

Standard Elements	Main dimensions															g
	b -0.2	d1	d2 H8/h6	d3	h1	h2	l1	l2	l3	l4	m1	m2	m3	m4	m5	
GN 867.1-32-M8-E	32	M8	7	M5	10	10	38	17	37	7.5	22	17	15	31.5	-	80
GN 867.1-32-M8-Z	32	M8	7	M5	10	10	38	-	37	7.5	22	17	15	31.5	17	100
GN 867.1-42-M10-E	42	M10	9	M6	12	12	54.5	17	50.5	10	30	25	19.5	45.9	-	290
GN 867.1-42-M10-Z	42	M10	9	M6	12	12	54.5	-	50.5	10	30	25	19.5	45.9	23	350
GN 867.1-52-M12-E	52	M12	11	M8	14	14	63	17	61	13.5	37	30	23.5	53	-	400
GN 867.1-52-M12-Z	52	M12	11	M8	14	14	63	-	61	13.5	37	30	23.5	53	30	600
GN 867.1-62-M12-E	62	M12	13	M10	16	16	73.5	20	83	13.5	44	47	27	63.5	-	660
GN 867.1-62-M12-Z	62	M12	13	M10	16	16	73.5	-	83	13.5	44	47	27	63.5	40	720