

Holders for clamping bolts



Material

Black-oxide steel C45.

Parts included in the supply

Hexagon socket head cap screws DIN 912 and guide bushes GN 870 (see page 670).

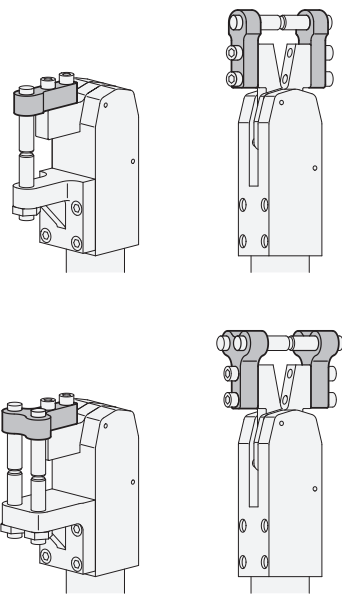
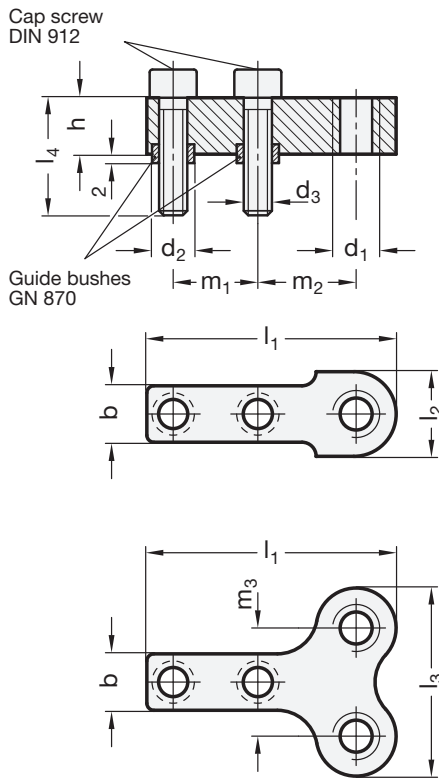
Clamping bolts

- Version **E**: for one clamping bolt.
- Version **Z**: for two clamping bolts.

Features and applications

Holders for clamping bolts GN 867 are suitable for use on clamping arms of the Power clamps GN 864 (see page 660), GN 865 (see page 661) and GN 866 (see page 662).

Holders for two clamping bolts (version **Z**) are preferably used in such applications where absolutely rigid clamping of a sheet metal component is essential. For the same purpose ball point screws with serrated ball pads GN 605 (see catalogue 038, page 591) are ideally suited.



14
664

Hook, toggle and power clamps

Standard Elements	Main dimensions												△△
Description	b -0.2	d1	d2 H8/h6	d3	h	l1	l2	l3	l4	m1	m2	m3	g
GN 867-10-M8-E	10	M8	7	M5	10	37	13	-	19.5	12	14.5	-	20
GN 867-10-M8-Z	10	M8	7	M5	10	37	-	30	19.5	12	14.5	17	30
GN 867-12-M10-E	12	M10	9	M6	12	53	17	-	29.5	18	20.9	-	90
GN 867-12-M10-Z	12	M10	9	M6	12	53	-	40	29.5	18	20.9	23	120
GN 867-16-M12-E	16	M12	11	M8	14	63	20	-	34	22	23.5	-	110
GN 867-16-M12-Z	16	M12	11	M8	14	63	-	50	34	22	23.5	30	180
GN 867-18-M12-E	18	M12	13	M10	16	73	20	-	34	27	28.5	-	130
GN 867-18-M12-Z	18	M12	13	M10	16	73	-	60	34	27	28.5	40	190