

GN 865

EXTENDED RANGE

Power clamps

RoHS

- **Material**
Black-oxide steel C45.
- **Max. air pressure**
10 bar.

Accessories on request to be ordered separately

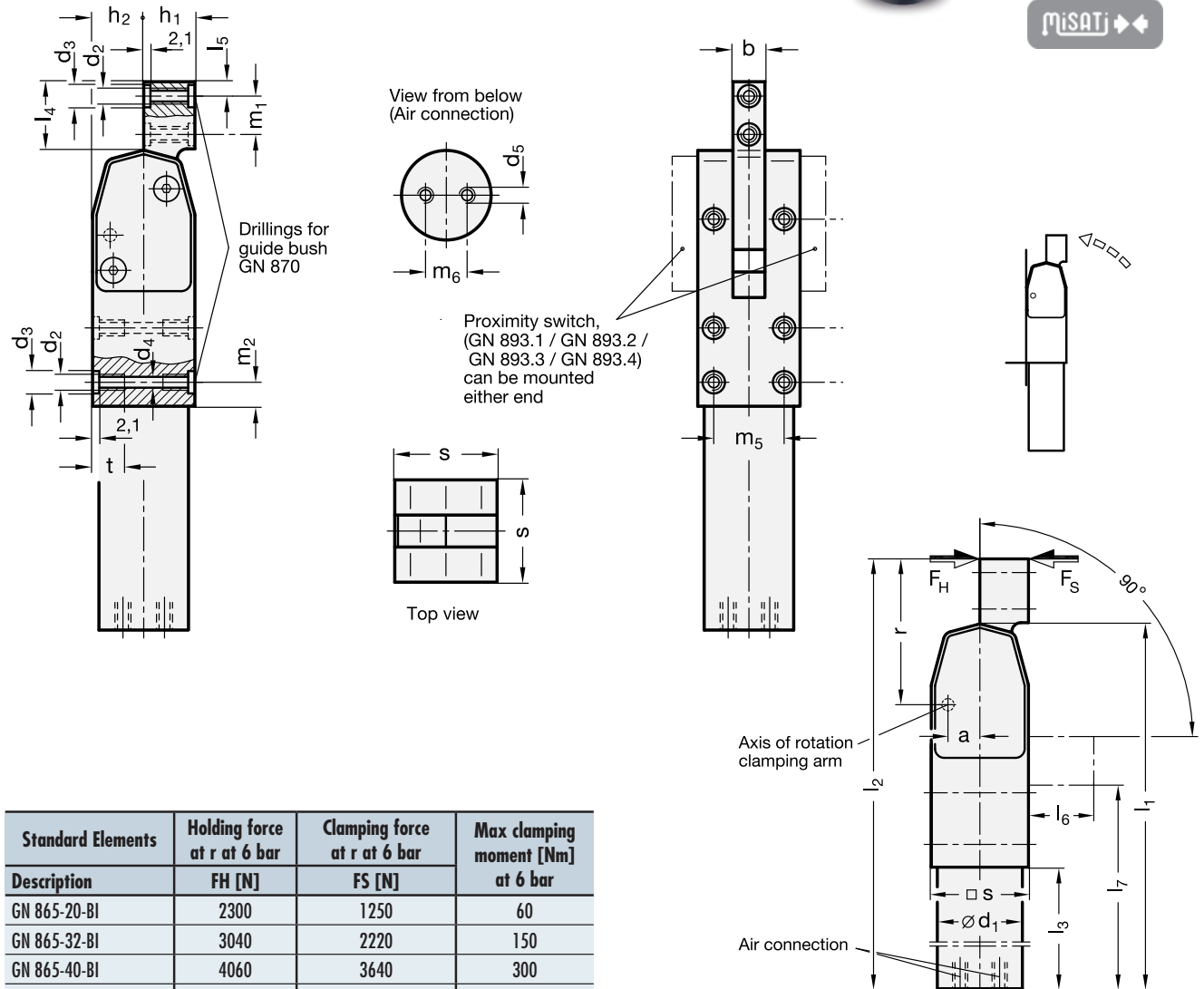
Guide bushes GN 870 (see page 672) and proximity switches GN 893.1 - GN 893.4 (see page 673) (to indicate end position).

Features and applications

The maximum clamping moment of the power clamps GN 865 is reached once the clamping arm is at the end of its stroke. For this reason the working stroke should be completed as closely as possible to the stroke end.



MISAT



Standard Elements	Holding force at r at 6 bar	Clamping force at r at 6 bar	Max clamping moment [Nm] at 6 bar
Description	FH [N]	FS [N]	
GN 865-20-BI	2300	1250	60
GN 865-32-BI	3040	2220	150
GN 865-40-BI	4060	3640	300
GN 865-50-BI	7200	4900	475

Standard Elements	Main dimensions																							△△			
Description	Piston size Ø	a	b-0.2	d1±0.08	d2	d3±0.08	d4	d5	h1	h2	l1-0.5	l2-0.5	l3	l4	l5	l6	l7-0.5	m1±0.01	m2	m3±0.01	m4±0.01	m5±0.01	m6	r	s	t	g
GN 865-20-BI	20	10.5	10	28	M5	7	4.2	M5	16	16	150	171	70	21	4.5	21	97	12	7.5	17	34	22	13	47.5	32	13	620
GN 865-32-BI	32	15.5	12	40	M6	9	5	G 1/8	21	21	206	237	91	31	6	31	133	18	10	25	51	30	22	67.5	42	15	1500
GN 865-40-BI	40	18.5	16	50	M8	11	6.8	G 1/8	26	26	244	282	104	38	7.5	38	155	22	13	30	62	37	25	82.5	52	18	2650
GN 865-50-BI	50	21.5	18	60	M10	13	8.5	G 1/8	31	31	279	323	110.5	44	8	44	174	27	12	47	71.5	44	35	96.5	62	21	4000