

# GN 864

EXTENDED RANGE

## Power clamps

RoHS

- **Material**  
Black-oxide steel C45.
- **Max. air pressure**  
10 bar.

### Accessories on request to be ordered separately

Guide bushes GN 870 (see page 672) and proximity switches GN 893.1 - GN 893.4 (see page 673) (to indicate end position).

### Features and applications

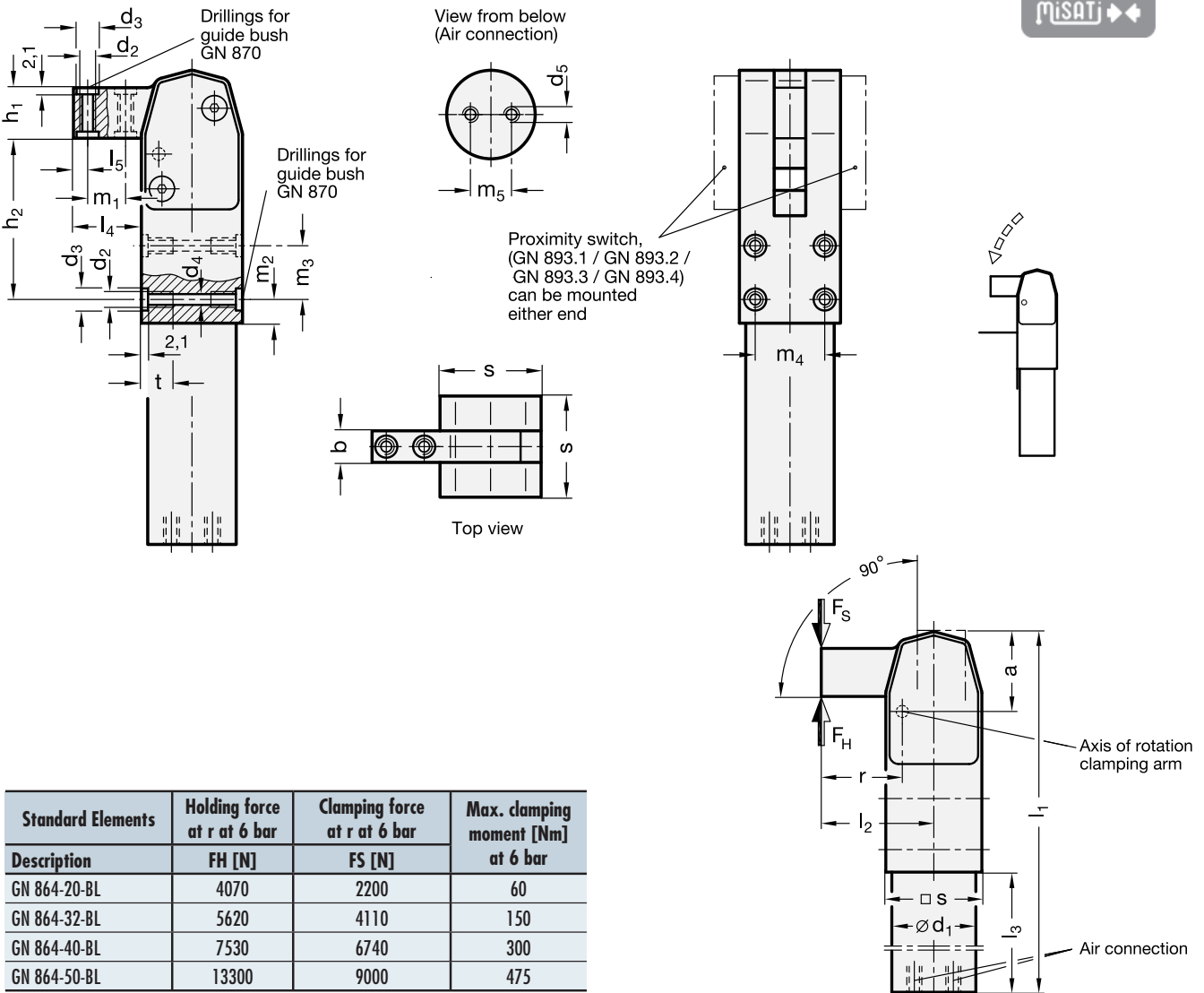
The maximum clamping moment of the power clamps GN 864 is reached once the clamping arm is at the end of its stroke. For this reason the working stroke should be completed as closely as possible to the stroke end.



MISATj

14  
660

Hook, toggle and power clamps



Standard Elements	Holding force at r at 6 bar	Clamping force at r at 6 bar	Max. clamping moment [Nm] at 6 bar
Description	FH [N]	FS [N]	
GN 864-20-BL	4070	2200	60
GN 864-32-BL	5620	4110	150
GN 864-40-BL	7530	6740	300
GN 864-50-BL	13300	9000	475

Standard Elements	Main dimensions																			△/△				
Description	Piston size Ø	a	b -0.2	d1 h8	d2	d3 h8	d4	d5	h1	h2	h1 -0.5	l2	l3	l4	l5	m1 ±0.01	m2	m3 ±0.01	m4 ±0.01	m5	r	s	t	g
GN 864-20-BL	20	27	10	28	M5	7	4.2	M5	16	51	150	37.5	70	21.5	4.5	12	7.5	17	22	13	27	32	13	620
GN 864-32-BL	32	36.5	12	40	M6	9	5	G 1/8	21	75.5	206	52	91	31	6	18	10	25	30	22	36.5	42	15	1500
GN 864-40-BL	40	44.5	16	50	M8	11	6.8	G 1/8	26	91.5	244	63	104	37	7.5	22	13	30	37	25	44.5	52	18	2650
GN 864-50-BL	50	52.5	18	60	M10	13	8.5	G 1/8	31	114	279	72.5	110.5	41.5	8	27	12	47	44	35	52.5	62	21	4010