

# GN 862.1

## Pneumatically operated clamps

RoHS

### • Metal parts

Zinc-plated case-hardened steel C10, blue passivated.

### • Bearing pins

Hardened and tempered steel.

### • Bearing bushes

Case-hardened steel.

### • Bearing pins for cylinder

Case-hardened steel.

### • Double acting cylinder

With adjustable cushioning, maximum operating pressure 6 bar.

### • Standard versions available

- Version **APV3S**: with forked clamping arm with two stepped side washers.

- Version **EPV3S**: with solid clamping arm with bolt retainer for welding.

Both versions are available with magnetic piston (EPV3S-M or APV3S-M).

### Accessories on request

- Clamping bolts to be ordered separately.

- Holders for clamping bolts GN 801 (for type APV3S) see page 658.

- Holders for clamping bolts GN 809 (for type EPV3S) see page 659.

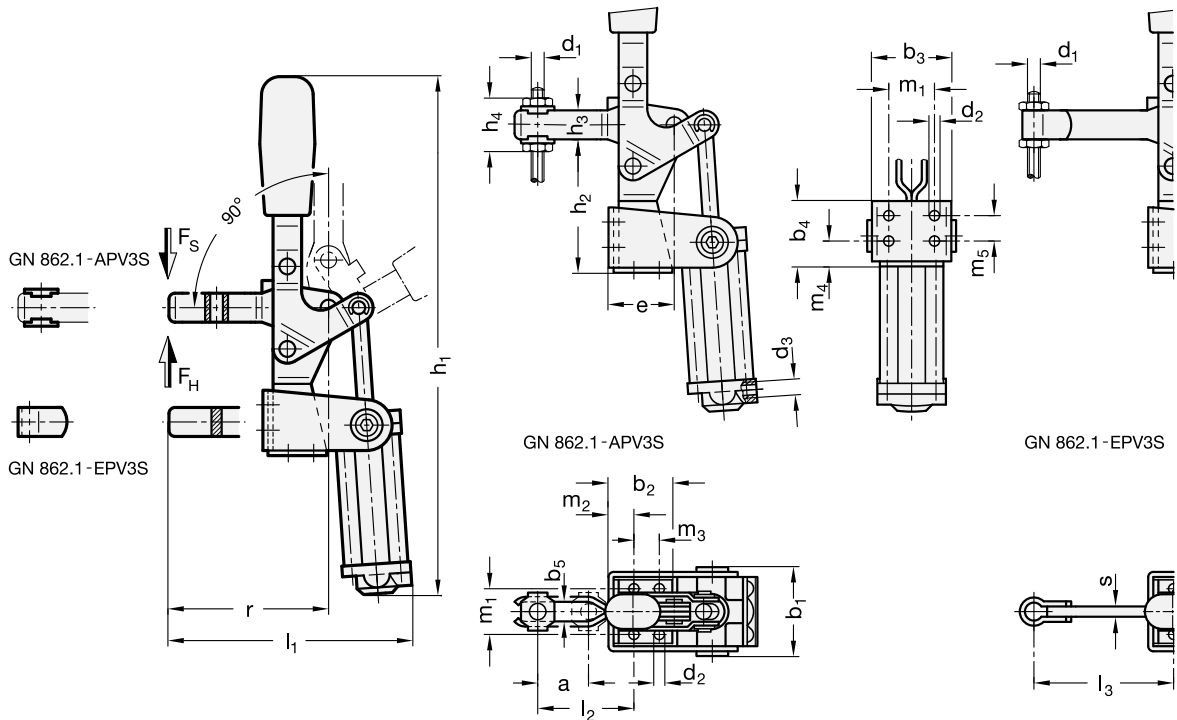
### Features and applications

A special feature of the pneumatically operated clamps GN 862.1 is that they can be mounted in two different planes.

This clamp design is used, for instance, if one workpiece is to be manually clamped with several clamps and to be released pneumatically by means of a single electrical pulse.

To ensure an extended life of the mechanical parts as well as air cylinder the operating pressure should not exceed 6 bar. In addition a lubro control unit should be fitted in the air line.

Two stepped side washers / clamping bolt retainers are included.



GN 862.1 - APV3S

GN 862.1 - EPV3S

GN 862.1 - APV3S

GN 862.1 - EPV3S

Standard Elements	Main dimensions													
Description	a	b1	b2	b3	b4	b5	d1	d2	d3	e	h1	h2	h3 ≈	h4 ≈
GN 862.1-200-APV3S	34	59.5	38.5	51	35	8.5	M8	6.5	G1/8	39.5	296	78	17	35
GN 862.1-200-APV3S-M	34	59.5	38.5	51	35	8.5	M8	6.5	G1/8	39.5	296	78	17	35
GN 862.1-300-APV3S	42	68.5	53	60.5	50	10.3	M10	8.5	G1/4	50.5	360	108	20	41
GN 862.1-300-APV3S-M	42	68.5	53	60.5	50	10.3	M10	8.5	G1/4	50.5	360	108	20	41
GN 862.1-200-EPV3S	-	59.5	38.5	51	35	-	M8	6.5	G1/8	39.5	296	78	17	-
GN 862.1-200-EPV3S-M	-	59.5	38.5	51	35	-	M8	6.5	G1/8	39.5	296	78	17	-
GN 862.1-300-EPV3S	-	68.5	53	60.5	50	-	M10	8.5	G1/4	50.5	360	108	20	-
GN 862.1-300-EPV3S-M	-	68.5	53	60.5	50	-	M10	8.5	G1/4	50.5	360	108	20	-

Standard Elements	Main dimensions										Female thread	Holding force FH in N	Clamping force at 4 bar ≈	ΔΔ
	l1 ≈	l2 ≈	l3 ≈	m1	m2	m3	m4	m5	r ≈	s				g
GN 862.1-200-APV3S	150	59	-	26	14.5	16	11	16	98	-	4	2200	900	1250
GN 862.1-200-APV3S-M	150	59	-	26	14.5	16	11	16	98	-	4	2200	900	1250
GN 862.1-300-APV3S	182	74	-	30	16.5	30	12	30	122	-	6	2700	1200	2450
GN 862.1-300-APV3S-M	182	74	-	30	16.5	30	12	30	122	-	6	2700	1200	2450
GN 862.1-200-EPV3S	150	-	80	26	14.5	16	11	16	98	6	4	2200	900	1250
GN 862.1-200-EPV3S-M	150	-	80	26	14.5	16	11	16	98	6	4	2200	900	1250
GN 862.1-300-EPV3S	182	-	104	30	16.5	30	12	30	122	8	6	2700	1200	2450
GN 862.1-300-EPV3S-M	182	-	104	30	16.5	30	12	30	122	8	6	2700	1200	2450