

## Latch clamps



- **Parts in sheet metal**  
AISI 304 stainless steel **NI**.
- **Tie-rod**  
AISI 304 stainless steel.
- **Assembly**  
All moving parts lubricated with special grease.
- **Handle**  
Solid moulded plastic handle sleeve, red, oil resistant.
- **Standard versions available**
  - Version **T5**: without tie-rod, without latch bracket.
  - Version **TG**: with tie-rod, with latch bracket, tie-rod with drawbar eye.
  - Version **TT**: with tie-rod, with latch bracket, tie-rod with T-piece.
  - Version **TU**: with tie-rod, with latch bracket, tie-rod with hook.

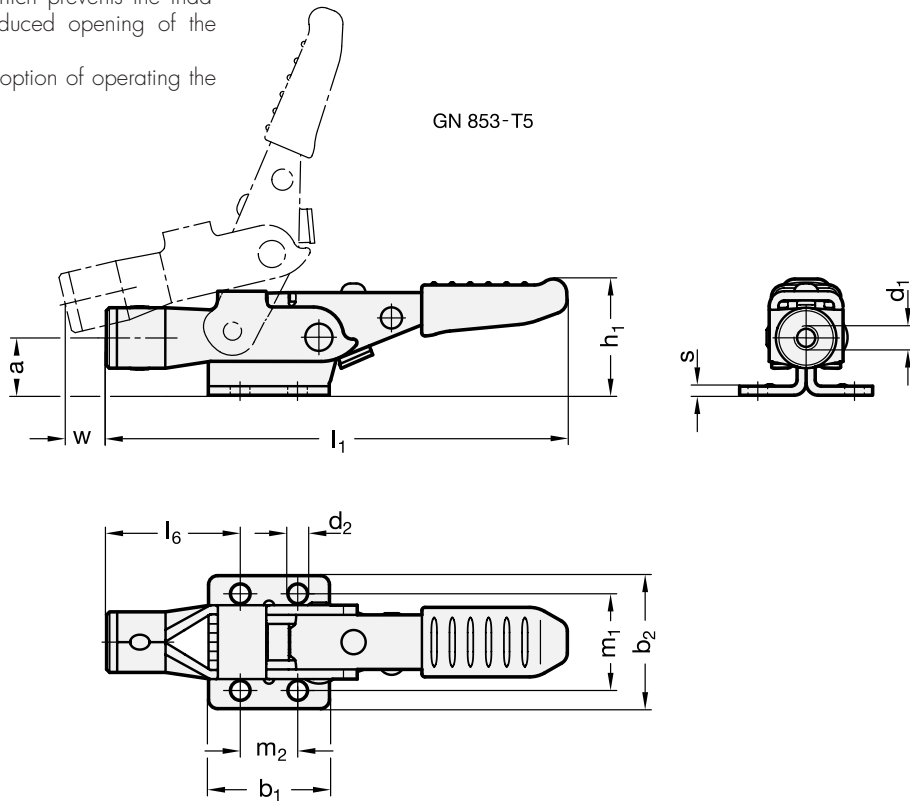


### Features and applications

The latch clamp GN 853-NI also features a locking mechanism which prevents the inadvertent or vibration-induced opening of the clamp.

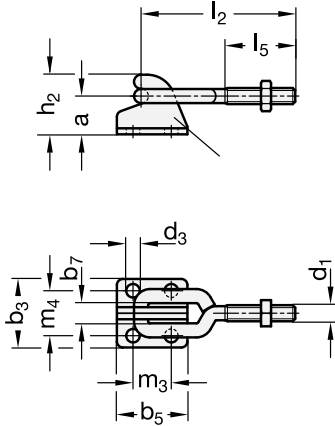
Another benefit is the option of operating the clamp with one hand.

GN 853-T5

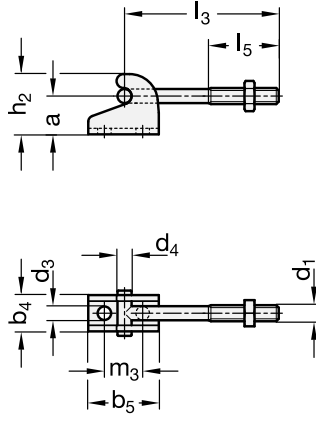


Standard Elements	Main dimensions													
	a	b1	b2	b3	b4	b5	b6	b7	d1	d2	d3	h1 ≈	h2	h3
GN 853-160-T5-NI	13	26	28	-	-	-	-	-	M6	4.5	-	27	-	-
GN 853-320-T5-NI	19	40	44	-	-	-	-	-	M8	6.7	-	38.5	-	-
GN 853-700-T5-NI	28	60	54	-	-	-	-	-	M10	8.5	-	54	-	-
GN 853-160-TG-NI	13	26	28	23	-	26	-	6.8	M6	4.5	4.5	27	20	-
GN 853-320-TG-NI	19	40	44	34	-	35	-	10	M8	6.7	6.7	38.5	30	-
GN 853-700-TG-NI	28	60	54	41	-	50	-	11	M10	8.5	8.5	53	40.5	-
GN 853-160-TT-NI	13	26	28	-	26	26	-	-	M6	4.5	4.5	27	20	-
GN 853-320-TT-NI	19	40	44	-	35	35	-	-	M8	6.7	6.7	38.5	30	-
GN 853-700-TT-NI	28	60	54	-	50	50	-	-	M10	8.5	8.5	53	40.5	-
GN 853-160-TU-NI	13	26	28	-	26	-	35	-	M6	4.5	4.5	27	-	20.5
GN 853-320-TU-NI	19	40	44	-	35	-	38	-	M8	6.7	6.7	38.5	-	28
GN 853-700-TU-NI	28	60	54	-	50	-	50	-	M10	8.5	8.5	53	-	39

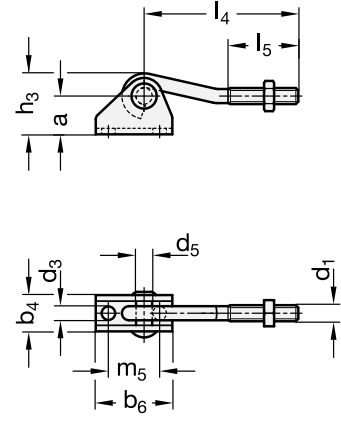
GN 853-TG



GN 853-TT

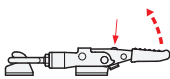


GN 853-TU

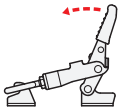


Standard Elements	Main dimensions												Stroke	Holding force FH in N	⚖ g
	l1 ≈	l2 ≈	l3	l4	l5	l6	m1	m2	m3	m4	m5	s			
GN 853-160-T5-NI	103	-	-	-	-	30	19	16	-	-	-	2	8	1750	97
GN 853-320-T5-NI	153	-	-	-	-	44.5	32	19	-	-	-	3	13	4000	385
GN 853-700-T5-NI	222	-	-	-	-	51	38	41.5	-	-	-	3.5	19	7500	685
GN 853-160-TG-NI	103	55	-	-	28	30	19	16	16	14.3	-	2	8	1750	100
GN 853-320-TG-NI	153	76.5	-	-	34	44.5	32	19	19	22.3	-	3	13	4000	330
GN 853-700-TG-NI	222	95.5	-	-	42	51	38	41.5	31	25.4	-	3.5	19	7500	880
GN 853-160-TT-NI	103	-	55	-	28	30	19	16	16	-	-	2	8	1750	120
GN 853-320-TT-NI	153	-	76.5	-	34	44.5	32	19	19	-	-	3	13	4000	360
GN 853-700-TT-NI	222	-	93	-	42	51	38	41.5	31	-	-	3.5	19	7500	780
GN 853-160-TU-NI	103	-	-	54	28	30	19	16	-	-	25.4	2	8	1750	120
GN 853-320-TU-NI	153	-	-	76.5	34	44.5	32	19	-	-	25.4	3	13	4000	380
GN 853-700-TU-NI	222	-	-	92	42	51	38	41.5	-	-	31	3.5	19	7500	858

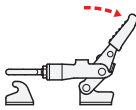
### Description of function (for one-hand operation)



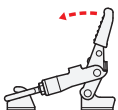
Press the release button for releasing.



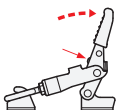
Lift the clamping arm until the tie-rod disengages from the latch bracket.



Retracting the clamping arm will lift the tie-rod and release the latch bracket (one-hand operation).



For **clamping** operation, lift the clamping arm until it rests on the latch bracket.



The clamping arm engages in the latch bracket if the releasing button is pressed for the clamping operation. When clamping in the end position, the system locks automatically by spring force.