

Horizontal clamps

RoHS

- **Sheet body and metal parts**

AISI 304 stainless steel **NI**.

- **Bearing pin**

AISI 304 stainless steel.

- **Assembly**

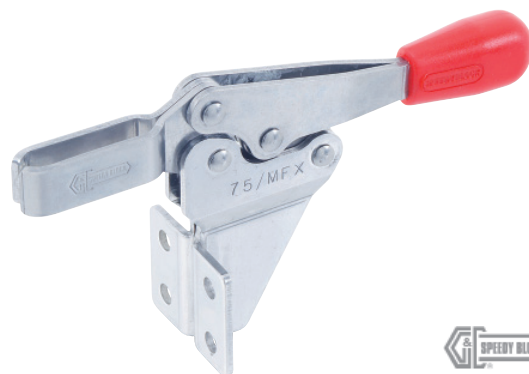
All moving parts lubricated with special grease.

- **Handle**

Oil-resistant, solid plastic, red colour.

- **Standard version available**

Version **MF**: with forked clamping arm with two stepped side washers.



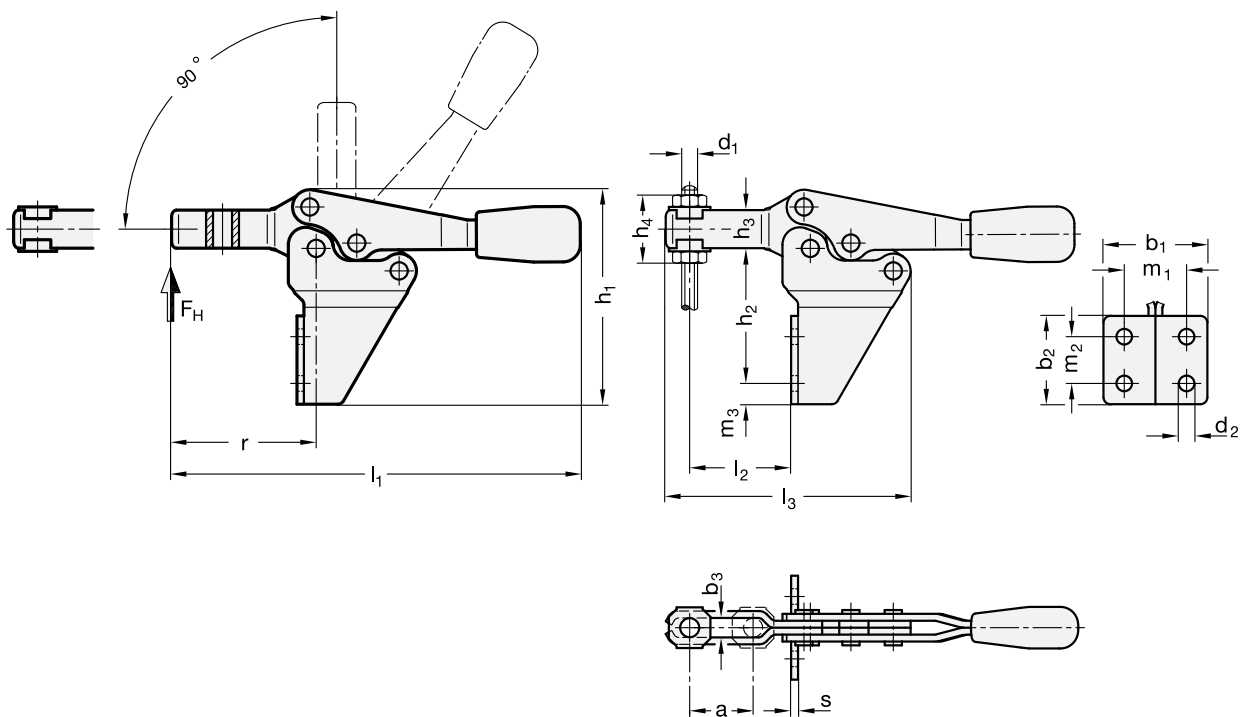
Accessories on request

- Clamping bolts to be ordered separately.

- Holders for clamping bolts GN 801 (see page 658).

Features and applications

Horizontal clamps GN 820.2-NI are designed to ensure that, when opening, the operators fingers are not trapped between the clamping lever and the clamping arm (safety distance).



Standard Elements	Main dimensions																	Holding force FH in N	Δ g	
	$\alpha \approx$	b1	b2	b3	d1	d2	h1	h2	h3	h4	l1	l2	l3	m1	m2	m3	r			s
GN 820.2-75-MF-NI	20	30	25.5	5.5	M5	4.5	62	39	11	22.5	118	30	72	18	13.5	6	42.5	2	900	105
GN 820.2-130-MF-NI	32	39	35	6.5	M6	5.5	85	58.5	14	27	170	45	95	26	22	6.5	61	2.5	1000	240
GN 820.2-230-MF-NI	37	43	40	8.5	M8	6.5	102	69	18	35	195	52	113	28.5	24	8	70	3	1700	400