

GN 812.1

Vertical clamps with horizontal base



• Sheet body and metal parts

Zinc-plated case-hardened steel C10, blue passivated.

• Bearing pins

Hardened and tempered steel.

• Bearing rivets

Case-hardened steel.

• Handle

Oil resistant, solid plastic, red colour.

• Special versions available

- Version **AVF**: with forked clamping arm with two stepped side washers.
- Version **EVF**: with clamping arm with bolt retainer for welding.

Accessories on request

- Clamping bolts to be ordered separately.
- Holders for clamping bolts GN 801 (for type AVF) see page 658.
- Holders for clamping bolts GN 809 (for type EVF) see page 659.

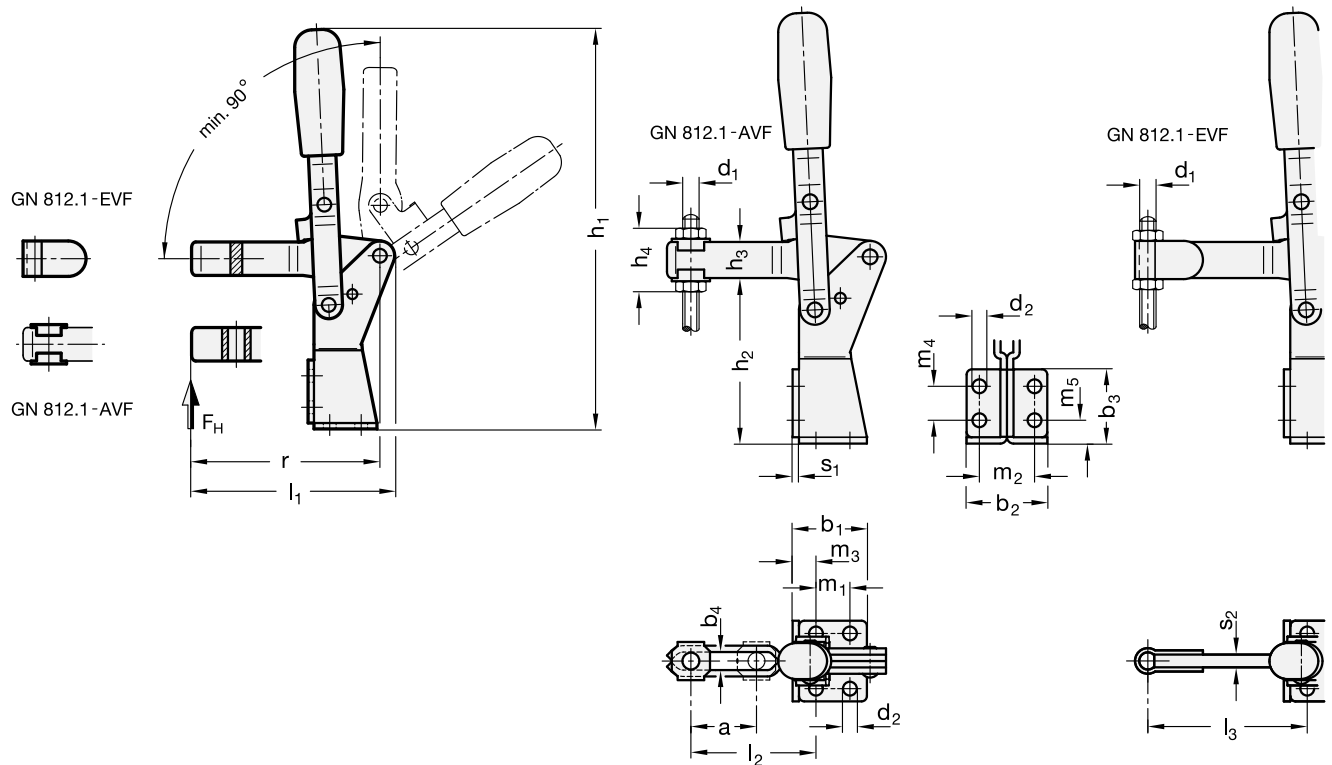
Features and applications

A special feature of the vertical clamps GN 812.1 is that they can be mounted in two different planes. All moving parts are lubricated with special grease.



14
644

Hook, toggle and power clamps



Standard Elements	Main dimensions										
Description	a ≈	b1	b2	b3	b4	d1	d2	h1 ≈	h2	h3	h4 ≈
GN 812.1-200-AVF	36	35	38	35	8.5	M8	6.5	203	77	17	34
GN 812.1-300-AVF	50	48	48	51	10.2	M10	8.5	258	105	20	41
GN 812.1-200-EVF	-	35	38	35	-	M8	6.5	203	77	17	-
GN 812.1-300-EVF	-	48	48	51	-	M10	8.5	258	105	20	-

Standard Elements	Main dimensions											Holding force FN in N	$\frac{\Delta}{g}$
Description	l1 ≈	l2	l3 max.	m1	m2	m3	m4	m5	r ≈	s1	s2		
GN 812.1-200-AVF	103	61	-	16	26	11	16	11	95.5	3	-	1600	390
GN 812.1-300-AVF	130	75	-	28	30	12	30	11.5	121.5	3	-	2400	680
GN 812.1-200-EVF	105	-	85	16	26	11	16	11	97.5	3	6	1600	400
GN 812.1-300-EVF	132	-	100	28	30	12	30	11.5	123	3	8	2400	690



ELESA and GANTER models all rights reserved in accordance with the law. Always mention the source when reproducing our drawings.