

GN 809

Holders for clamping bolts

RoHS

• Specification

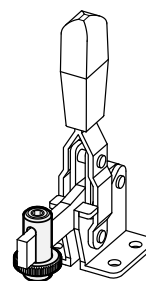
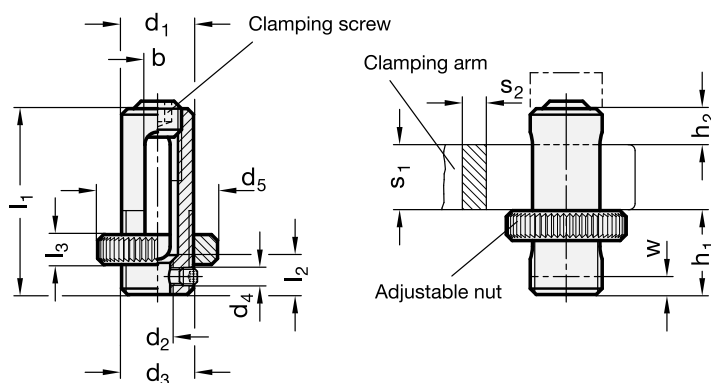
Zinc-plated steel, blue passivated.

Features and applications

Holders for clamping bolts GN 809 have been developed for various toggle clamps in the design version "solid clamping arm".

The holders for clamping bolts can be moved along the clamping arm and be adjusted in height. Once the desired position is reached, fix the mounting in place with the clamping bolt.

The thread d_2 serves to hold pressure screws, pressure dies and similar devices.



Standard Elements	Main dimensions															for toggle clamps			⚖	
	d1	d2	b	d3	d4	d5	h1 max.	h1 min.	h2 max.	h2 min.	l1	l2	l3	s1	s2	w	GN 810	GN 820		GN 812
GN 809-12-M5	12	M5	4.2	M12x1.5	M3	20	14	8	12	6	31	6	5	11	4	3	70	75	-	22
GN 809-16-M6	16	M6	5.3	M16x1.5	M4	22	18	10	16	8	40	10	5.5	14	5	4	125	130	-	43
GN 809-18-M8	18	M8	6.3	M18x1.5	M4	24	23 (24)*	13 (14)*	20	10	51	13	6	18 (17)*	6	5	200	230	200	65
GN 809-20-M8	20	M8	7.3	M20x1.5	M5	27	25	15	20	10	57	15	7	22	7	5	-	355	-	96
GN 809-22-M10	22	M10	8.3	M22x1.5	M5	30	28	14	24	12	60	16	8	20	8	5	300	-	300	121

* Dimension in (...) for GN 812.