

GN 801

Holders for clamping bolts



• Material

Zinc-plated steel, blue passivated.

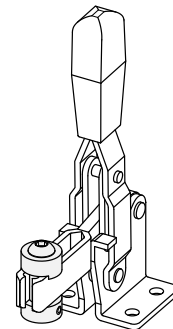
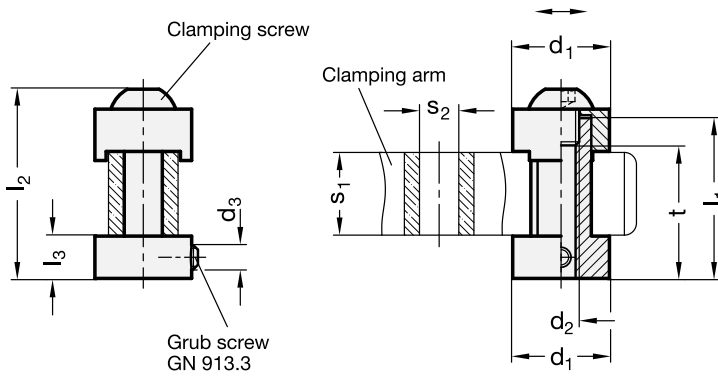
Features and applications

Holders for clamping bolts GN 801 have been developed for various toggle clamps in the version „forked clamping arm“.

The holders can be moved along the clamping arm. Once the desired position is reached, it can be fixed by the clamping screw.

The thread d_2 serves to hold clamping bolts, pressure dies and similar devices.

Thereby the ideal clamping height can be adjusted without a loosening of the clamping of the holder to the clamping arm.



14

658

Hook, toggle and power clamps

Standard Elements	Main dimensions									for toggle clamps				⚖
	d_1	d_2	l_1	l_2	l_3	d_3	s_1	s_2	t	GN 810 GN 810.1 GN 860 GN 862 GN 862.1	GN 820 GN 820.1 GN 820.2	GN 910 GN 910.1	GN 812 GN 812.1	
GN 801-16-M6	16	M6	26.5	31 (33)*	7	M4	14 (16)*	6.5	22 (24)*	125	130	220	-	10
GN 801-18-M8	18	M8	31	38 (37)**	8	M5	18 (17)**	8.5	26 (25)**	200	230	-	200	10
GN 801-22-M10	22	M10	37	45 (47)***	8	M5	20 (22)***	10.5	28 (22)***	300	355	-	300	13
GN 801-24-M10	24	M10	41	49	8	M5	24	10	32	-	-	440	-	13
GN 801-26-M10	26	M10	39	48	8	M5	22	12.5	30	400	-	-	-	16

* Dimensions in (...) applies to GN 910 and GN 910.1.

** Dimensions in (...) applies to GN 812 and GN 812.1.

*** Dimensions in (...) applies to GN 820.1.