

# GN 320

## Opening handles

RoHS

- **Material**

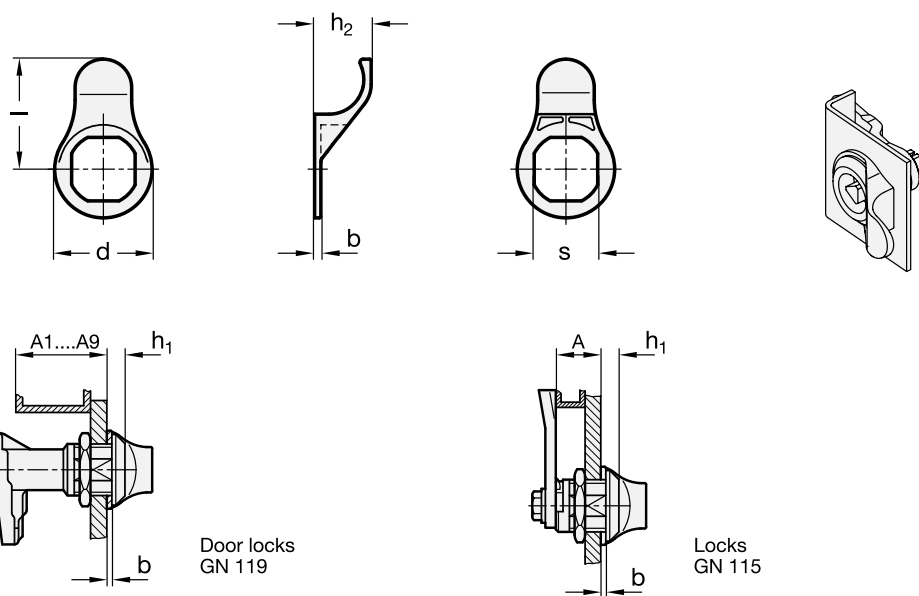
Polyamide based (PA) technopolymer.

- **Colour**

Black, matte finish.

### Features and applications

Opening handles GN 320 are suitable for locks, GN 115 (see page 608), GN 119 (see page 618) and GN 315.1 (see page 625).



Door locks  
GN 119

Locks  
GN 115

Standard Elements	Main dimensions						for locks	△△ g
	d	s	b	h <sub>1</sub>	h <sub>2</sub>	l		
GN 320-31	31	20.5	2	6	18	35	GN 115 Type DK, VK7, VK8, VDE, SC	3
GN 320-35	35	20.5	2	8	18	36	GN 119 Type DK, VK7, VK8, VDE/GN 315.1	5