

Door locks



• Locking housing and operating spindle

AISI 303 stainless steel.

• Cam

AISI 304 stainless steel.

• Distance piece

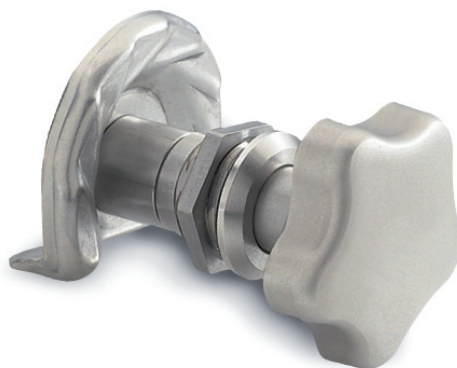
AISI 303 stainless steel.

• Standard versions available

- Type **SG**: operation with with star knob.
- Type **DK**: operation with with triangular spindle.
- Type **VK7**: operation with with square spindle A/F7.
- Type **VK8**: operation with with square spindle A/F8.
- Type **VDE**: operation with with double bit.

• Accessories on request

- Key GN 119.2 (see page 628).
- Protective caps GN 120 (see page 626).
- Opening handles GN 320 (see page 627).



Assembly instructions

By turning the door lock clockwise the stepped door cam moves up behind the door frame and pulls the door in.

The wide 'pulling-in' range of the cam (10 mm) allows these locks to be used successfully on doors with sealing strips. When selecting depth A the thickness of the door seal might have to be taken into consideration.

To fit the lock, the door will have to be provided with a hole as per sketch shown at a distance from the door frame to the hole center of 23 mm.

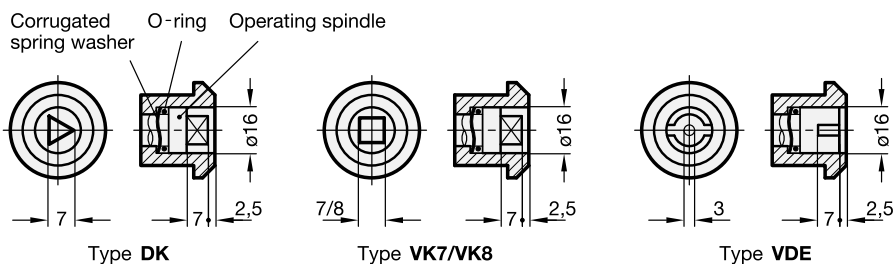
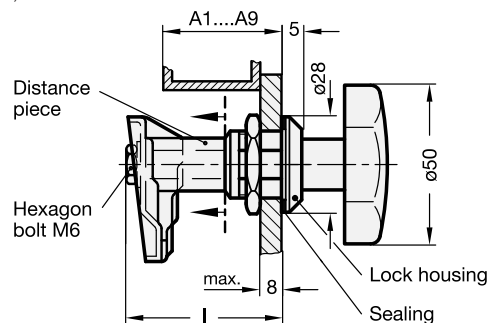
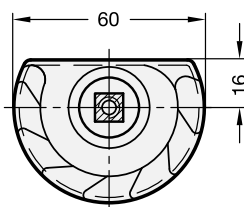
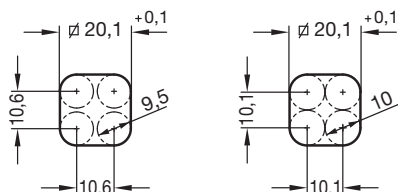
The lock housing with the operating spindle is fitted into the hole from the front and held in position with the hexagon nut. The distance piece is then fitted at the rear, followed by the cam and the hexagon nut. For bringing in the assembly drilling, the sheet metal punch GN 123 (see catalogue 038, page 881) is suitable.

The installation bore diameters can also be set by drilling / milling.

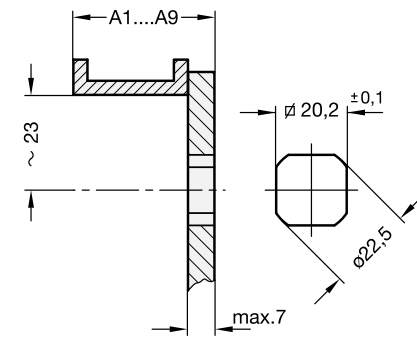
Features and applications

Door locks GN 119 have a 'pulling-in' range of 10 mm. Locking is achieved by turning the door lock clockwise.

The operating spindle is fitted with an O-ring to prevent the ingress of water.



Standard Elements	Main dimension		Δ #
	A1 ... A9	l	
GN 119-*-A1-NI	17 ... 25	28	188
GN 119-*-A2-NI	22 ... 30	33	200
GN 119-*-A3-NI	27 ... 35	38	200
GN 119-*-A4-NI	32 ... 40	43	220
GN 119-*-A5-NI	37 ... 45	48	220
GN 119-*-A6-NI	42 ... 50	53	240
GN 119-*-A7-NI	47 ... 55	58	240
GN 119-*-A8-NI	52 ... 60	63	255
GN 119-*-A9-NI	57 ... 65	68	250



Mounting hole

* Complete the description of the standard item needed by adding SG (with star knob), DK (with triangular spindle), VK7 (with square spindle A/F7), VK8 (with square spindle A/F8), VDE (with double bit).

Weight type SG.