

GN 115.1

EXTENDED RANGE

Lock pins

RoHS

Lock housing

Chromium-plated zinc alloy die-cast.

Metal elements

Zinc-plated steel, blue passivated.

Standard versions available

- Type **DK**: operation with triangular spindle key.
- Type **VK**: operation with square spindle (A/F6).
- Type **SCH**: operation with slot.
- Type **SK**: operation with polyamide-based (PA) technopolymer wrench.
- Type **SCK**: operation with with polyamide-based (PA) technopolymer wrench, lockable, with Nickel silver key with plastic handpiece.

Accessories on request

- Key GN 119.2 (see page 628).
- Protective caps GN 120 (see page 626).



Assembly instructions

By turning the Mini-Latches by max. 90°, the latch is moved behind the frame preventing the opening of the door or shutter. The latch is slightly chamfered towards the outside.

The sketch on the right shows the hole required through which the lock is installed.

The mechanism is inserted through the hole from the front and the hexagon nut can be fitted from the back.

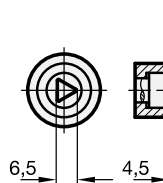
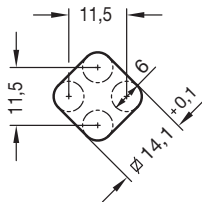
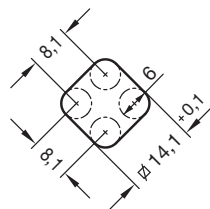
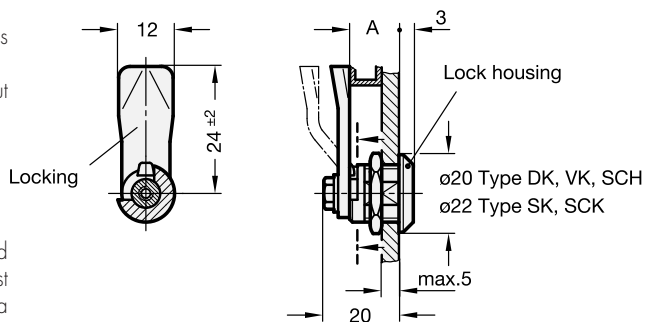
For bringing in the assembly drilling, the sheet metal punch GN 123 (see catalogue 038, page 881) is suitable.

The installation bore diameters can also be set by drilling / milling.

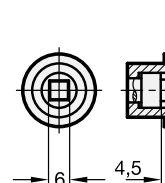
Features and applications

Mini-Latches GN 115.1 have smaller dimensions than GN 115. They lend themselves ideally for small doors and flaps. In addition they are a low cost product. However they offer a straightforward locking action rather than a locking and clamping action.

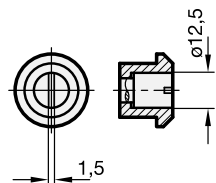
The latch distance A of this mini-locks is made to suit 7.5, 13.5 and 19.5 mm.



Type DK

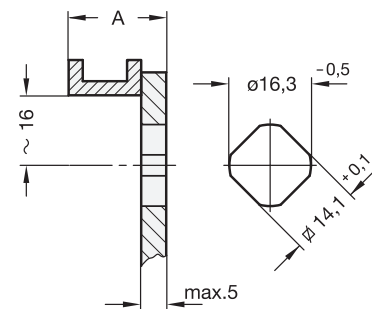
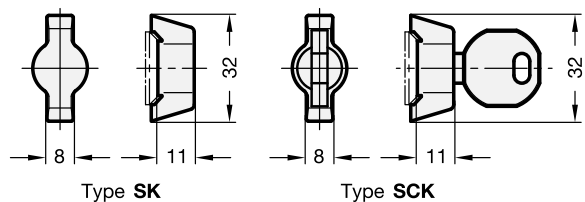


Type VK



Type SCH

Standard Elements	Main dimensions	⚖
Description	A	g
GN 115.1-DK-7.5	7.5	24
GN 115.1-VK-7.5	7.5	25
GN 115.1-SCH-7.5	7.5	20
GN 115.1-SK-7.5	7.5	49
GN 115.1-SCK-7.5	7.5	57
GN 115.1-DK-13.5	13.5	24
GN 115.1-VK-13.5	13.5	25
GN 115.1-SCH-13.5	13.5	20
GN 115.1-SK-13.5	13.5	50
GN 115.1-SCK-13.5	13.5	57
GN 115.1-DK-19.5	19.5	24
GN 115.1-VK-19.5	19.5	25
GN 115.1-SCH-19.5	19.5	20
GN 115.1-SK-19.5	19.5	50
GN 115.1-SCK-19.5	19.5	60



Mounting hole