

Lock pins



- **Pin**
AISI 303 stainless steel.
- **Pawl**
AISI 304 stainless steel.
- **Spring**
AISI 301 stainless steel.
- **Knob**
AISI 303 stainless steel.
- **Push button**
AISI 303 stainless steel.



Accessories on request

- Ball chains GN 111 (see page 360).
- Retaining cables GN 111.2 (see page 362).
- Spiral retaining cables GN 111.4 (see page 364).

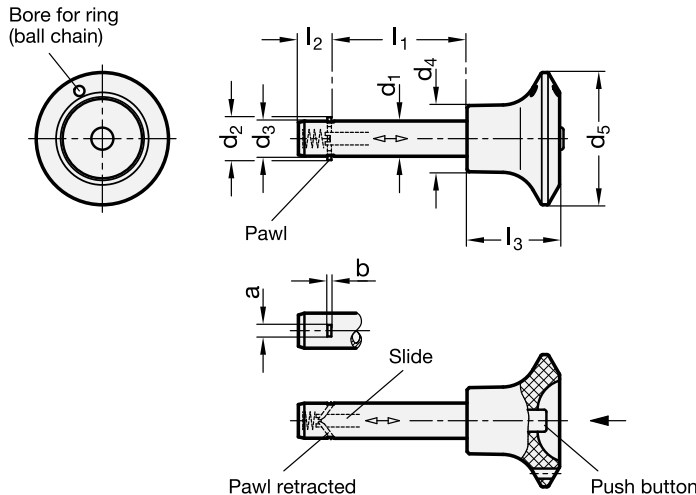
Features and applications

Lock pins GN 114.6 are used for quick fixing, connecting and locking of various jig and fixture systems. A typical application is locating pins which have to be often removed and replaced again.

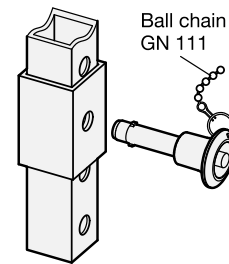
The two locking pawls can be retracted by pressing the button and on releasing it the pawls will be locked again.

The rectangular shape of the locking pawls in stainless steel creates a linear contact area which gives an increased axial shear strength.

The load values given in the above table at shear stress are theoretically obtained and indicative only. They are non-binding recommended values and rule out any liability. They constitute no general warranty of quality and condition. The user must determine from case to case whether a product is suitable for the intended use.



Example of application



Standard Elements	Main dimensions										Load in kN \approx	Δ g
	Description	$d_1 -0.01$	$l_1 +0.4$	a	b	d_2	d_3	d_4	d_5	l_2		
GN 114.6-6-16	6	16	2.3	0.5	7.5	5.9	12	25	7	20	14	33
GN 114.6-6-20	6	20	2.3	0.5	7.5	5.9	12	25	7	20	14	34
GN 114.6-6-25	6	25	2.3	0.5	7.5	5.9	12	25	7	20	14	35
GN 114.6-6-30	6	30	2.3	0.5	7.5	5.9	12	25	7	20	14	36
GN 114.6-6-35	6	35	2.3	0.5	7.5	5.9	12	25	7	20	14	37
GN 114.6-6-40	6	40	2.3	0.5	7.5	5.9	12	25	7	20	14	38
GN 114.6-6-45	6	45	2.3	0.5	7.5	5.9	12	25	7	20	14	40
GN 114.6-6-50	6	50	2.3	0.5	7.5	5.9	12	25	7	20	14	40

Standard Elements	Main dimensions										Load in kN \approx	Δ
Description	d1 -0.01	l1 +0.4	a	b	d2	d3	d4	d5	l2	l3		g
GN 114.6-8-16	8	16	2.8	1	10.4	7.9	15	30	8.4	21	30	53
GN 114.6-8-20	8	20	2.8	1	10.4	7.9	15	30	8.4	21	28	55
GN 114.6-8-25	8	25	2.8	1	10.4	7.9	15	30	8.4	21	28	57
GN 114.6-8-30	8	30	2.8	1	10.4	7.9	15	30	8.4	21	28	59
GN 114.6-8-35	8	35	2.8	1	10.4	7.9	15	30	8.4	21	28	60
GN 114.6-8-40	8	40	2.8	1	10.4	7.9	15	30	8.4	21	28	62
GN 114.6-8-45	8	45	2.8	1	10.4	7.9	15	30	8.4	21	28	65
GN 114.6-8-50	8	50	2.8	1	10.4	7.9	15	30	8.4	21	28	66
GN 114.6-10-20	10	20	3.3	1	12.8	9.9	18	34	9.8	26	38	87
GN 114.6-10-25	10	25	3.3	1	12.8	9.9	18	34	9.8	26	38	90
GN 114.6-10-30	10	30	3.3	1	12.8	9.9	18	34	9.8	26	38	93
GN 114.6-10-35	10	35	3.3	1	12.8	9.9	18	34	9.8	26	40	95
GN 114.6-10-40	10	40	3.3	1	12.8	9.9	18	34	9.8	26	38	99
GN 114.6-10-45	10	45	3.3	1	12.8	9.9	18	34	9.8	26	38	103
GN 114.6-10-50	10	50	3.3	1	12.8	9.9	18	34	9.8	26	38	106
GN 114.6-10-60	10	60	3.3	1	12.8	9.9	18	34	9.8	26	38	111
GN 114.6-12-25	12	25	3.8	1	14.8	11.9	18	34	11.3	26	61	99
GN 114.6-12-30	12	30	3.8	1	14.8	11.9	18	34	11.3	26	61	102
GN 114.6-12-35	12	35	3.8	1	14.8	11.9	18	34	11.3	26	61	109
GN 114.6-12-40	12	40	3.8	1	14.8	11.9	18	34	11.3	26	61	113
GN 114.6-12-45	12	45	3.8	1	14.8	11.9	18	34	11.3	26	60	117
GN 114.6-12-50	12	50	3.8	1	14.8	11.9	18	34	11.3	26	61	121
GN 114.6-12-60	12	60	3.8	1	14.8	11.9	18	34	11.3	26	61	129
GN 114.6-12-70	12	70	3.8	1	14.8	11.9	18	34	11.3	26	61	139
GN 114.6-12-80	12	80	3.8	1	14.8	11.9	18	34	11.3	26	60	146
GN 114.6-16-30	16	30	4.8	1.2	19.9	15.9	22	40	14.2	32	113	181
GN 114.6-16-35	16	35	4.8	1.2	19.9	15.9	22	40	14.2	32	113	181
GN 114.6-16-40	16	40	4.8	1.2	19.9	15.9	22	40	14.2	32	113	196
GN 114.6-16-45	16	45	4.8	1.2	19.9	15.9	22	40	14.2	32	113	203
GN 114.6-16-50	16	50	4.8	1.2	19.9	15.9	22	40	14.2	32	113	212
GN 114.6-16-60	16	60	4.8	1.2	19.9	15.9	22	40	14.2	32	113	226
GN 114.6-16-70	16	70	4.8	1.2	19.9	15.9	22	40	14.2	32	113	243
GN 114.6-16-80	16	80	4.8	1.2	19.9	15.9	22	40	14.2	32	113	258
GN 114.6-20-30	20	30	4.8	1.2	23.9	19.8	25	40	14.8	33	187	215
GN 114.6-20-35	20	35	4.8	1.2	23.9	19.8	25	40	14.8	33	187	229
GN 114.6-20-40	20	40	4.8	1.2	23.9	19.8	25	40	14.8	33	187	240
GN 114.6-20-45	20	45	4.8	1.2	23.9	19.8	25	40	14.8	33	187	256
GN 114.6-20-50	20	50	4.8	1.2	23.9	19.8	25	40	14.8	33	187	266
GN 114.6-20-60	20	60	4.8	1.2	23.9	19.8	25	40	14.8	33	187	300
GN 114.6-20-70	20	70	4.8	1.2	23.9	19.8	25	40	14.8	33	187	340
GN 114.6-20-80	20	80	4.8	1.2	23.9	19.8	25	40	14.8	33	187	340