

# GN 114.2

## Lock pins



- **Pin**  
Zinc-plated steel, blue passivated.
- **Pawl**  
AISI 304 stainless steel.
- **Spring**  
AISI 301 stainless steel.
- **Knob**  
Plastic, polyamide based (PA) technopolymer, black-grey colour.
- **Push button**  
Plastic, polyamide based (PA) technopolymer, red colour.
- **Maximum working temperature**  
80 °C.



### Accessories on request

- Ball chains GN 111 (see page 360).
- Retaining cables GN 111.2 (see page 362).
- Spiral retaining cables GN 111.4 (see page 364).

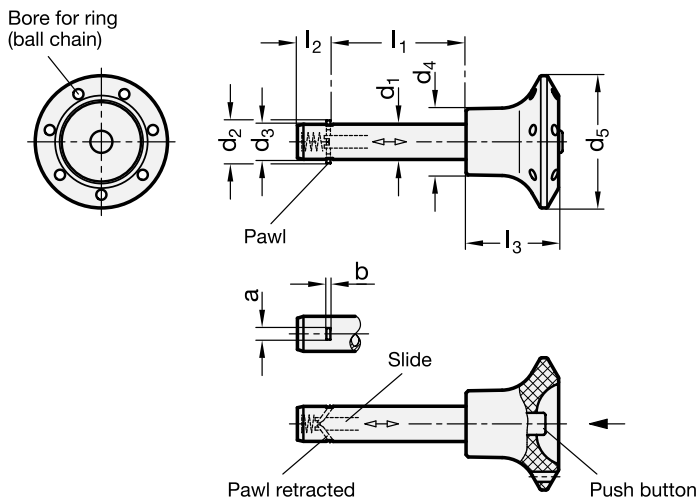
### Features and applications

Lock pins GN 114.2 are used for quick fixing, connecting and locking of various jig and fixture systems. A typical application is location pins which have to be often removed and replaced again.

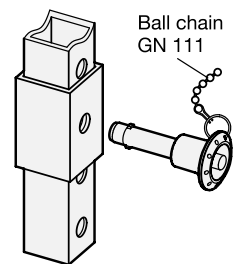
The two locking pawls can be retracted by pressing the button and on releasing it the pawls will be locked again.

The rectangular shape of the locking pawls in stainless steel creates a linear contact area which gives an increased axial shear strength.


The load values given in the above table at shear stress are theoretically obtained and indicative only. They are non-binding recommended values and rule out any liability. They constitute no general warranty of quality and condition. The user must determine from case to case whether a product is suitable for the intended use.



### Example of application



| Standard Elements<br>Description | Main dimensions |         |     |     |     |     |    |    |    |    | Double sided<br>shearing force in kN ≈ | △<br>g |
|----------------------------------|-----------------|---------|-----|-----|-----|-----|----|----|----|----|--|--------|
|                                  | d1 -0.04        | l1 +0.4 | a   | b   | d2  | d3  | d4 | d5 | l2 | l3 |  |        |
| GN 114.2-6-10                    | 6               | 10      | 2.3 | 0.5 | 7.5 | 5.9 | 15 | 30 | 7  | 21 | 14                                     | 10     |
| GN 114.2-6-12                    | 6               | 12      | 2.3 | 0.5 | 7.5 | 5.9 | 15 | 30 | 7  | 21 | 14                                     | 12     |
| GN 114.2-6-16                    | 6               | 16      | 2.3 | 0.5 | 7.5 | 5.9 | 15 | 30 | 7  | 21 | 14                                     | 12     |
| GN 114.2-6-20                    | 6               | 20      | 2.3 | 0.5 | 7.5 | 5.9 | 15 | 30 | 7  | 21 | 14                                     | 13     |
| GN 114.2-6-25                    | 6               | 25      | 2.3 | 0.5 | 7.5 | 5.9 | 15 | 30 | 7  | 21 | 14                                     | 15     |
| GN 114.2-6-30                    | 6               | 30      | 2.3 | 0.5 | 7.5 | 5.9 | 15 | 30 | 7  | 21 | 14                                     | 15     |
| GN 114.2-6-35                    | 6               | 35      | 2.3 | 0.5 | 7.5 | 5.9 | 15 | 30 | 7  | 21 | 14                                     | 16     |
| GN 114.2-6-40                    | 6               | 40      | 2.3 | 0.5 | 7.5 | 5.9 | 15 | 30 | 7  | 21 | 14                                     | 16     |
| GN 114.2-6-45                    | 6               | 45      | 2.3 | 0.5 | 7.5 | 5.9 | 15 | 30 | 7  | 21 | 14                                     | 17     |
| GN 114.2-6-50                    | 6               | 50      | 2.3 | 0.5 | 7.5 | 5.9 | 15 | 30 | 7  | 21 | 14                                     | 18     |

| Standard Elements | Main dimensions |         |     |     |      |      |    |    |      |    | Double sided shearing force in kN $\approx$ |  |
|-------------------|-----------------|---------|-----|-----|------|------|----|----|------|----|---|---|
| Description       | d1 -0.04        | l1 +0.4 | a   | b   | d2   | d3   | d4 | d5 | l2   | l3 |   | g   |
| GN 114.2-8-16     | 8               | 16      | 2.8 | 0.6 | 10.4 | 7.9  | 15 | 30 | 8.4  | 21 | 30  | 17  |
| GN 114.2-8-20     | 8               | 20      | 2.8 | 0.6 | 10.4 | 7.9  | 15 | 30 | 8.4  | 21 | 30  | 18  |
| GN 114.2-8-25     | 8               | 25      | 2.8 | 0.6 | 10.4 | 7.9  | 15 | 30 | 8.4  | 21 | 30  | 19  |
| GN 114.2-8-30     | 8               | 30      | 2.8 | 0.6 | 10.4 | 7.9  | 15 | 30 | 8.4  | 21 | 30  | 22  |
| GN 114.2-8-35     | 8               | 35      | 2.8 | 0.6 | 10.4 | 7.9  | 15 | 30 | 8.4  | 21 | 30  | 23  |
| GN 114.2-8-40     | 8               | 40      | 2.8 | 0.6 | 10.4 | 7.9  | 15 | 30 | 8.4  | 21 | 30  | 24  |
| GN 114.2-8-45     | 8               | 45      | 2.8 | 0.6 | 10.4 | 7.9  | 15 | 30 | 8.4  | 21 | 30  | 26  |
| GN 114.2-8-50     | 8               | 50      | 2.8 | 0.6 | 10.4 | 7.9  | 15 | 30 | 8.4  | 21 | 30  | 28  |
| GN 114.2-10-20    | 10              | 20      | 3.3 | 1   | 12.8 | 9.9  | 18 | 34 | 9.8  | 26 | 40  | 27  |
| GN 114.2-10-25    | 10              | 25      | 3.3 | 1   | 12.8 | 9.9  | 18 | 34 | 9.8  | 26 | 40  | 30  |
| GN 114.2-10-30    | 10              | 30      | 3.3 | 1   | 12.8 | 9.9  | 18 | 34 | 9.8  | 26 | 40  | 31  |
| GN 114.2-10-35    | 10              | 35      | 3.3 | 1   | 12.8 | 9.9  | 18 | 34 | 9.8  | 26 | 40  | 35  |
| GN 114.2-10-40    | 10              | 40      | 3.3 | 1   | 12.8 | 9.9  | 18 | 34 | 9.8  | 26 | 40  | 37  |
| GN 114.2-10-45    | 10              | 45      | 3.3 | 1   | 12.8 | 9.9  | 18 | 34 | 9.8  | 26 | 40  | 39  |
| GN 114.2-10-50    | 10              | 50      | 3.3 | 1   | 12.8 | 9.9  | 18 | 34 | 9.8  | 26 | 40  | 42  |
| GN 114.2-10-60    | 10              | 60      | 3.3 | 1   | 12.8 | 9.9  | 18 | 34 | 9.8  | 26 | 40  | 46  |
| GN 114.2-12-24    | 12              | 24      | 3.8 | 1   | 14.8 | 11.9 | 18 | 34 | 11.3 | 26 | 60  | 38  |
| GN 114.2-12-25    | 12              | 25      | 3.8 | 1   | 14.8 | 11.9 | 18 | 34 | 11.3 | 26 | 60  | 39  |
| GN 114.2-12-30    | 12              | 30      | 3.8 | 1   | 14.8 | 11.9 | 18 | 34 | 11.3 | 26 | 60  | 43  |
| GN 114.2-12-35    | 12              | 35      | 3.8 | 1   | 14.8 | 11.9 | 18 | 34 | 11.3 | 26 | 60  | 46  |
| GN 114.2-12-40    | 12              | 40      | 3.8 | 1   | 14.8 | 11.9 | 18 | 34 | 11.3 | 26 | 60  | 50  |
| GN 114.2-12-45    | 12              | 45      | 3.8 | 1   | 14.8 | 11.9 | 18 | 34 | 11.3 | 26 | 60  | 53  |
| GN 114.2-12-50    | 12              | 50      | 3.8 | 1   | 14.8 | 11.9 | 18 | 34 | 11.3 | 26 | 60  | 60  |
| GN 114.2-12-60    | 12              | 60      | 3.8 | 1   | 14.8 | 11.9 | 18 | 34 | 11.3 | 26 | 60  | 62  |
| GN 114.2-12-70    | 12              | 70      | 3.8 | 1   | 14.8 | 11.9 | 18 | 34 | 11.3 | 26 | 60  | 72  |
| GN 114.2-12-80    | 12              | 80      | 3.8 | 1   | 14.8 | 11.9 | 18 | 34 | 11.3 | 26 | 60  | 79  |
| GN 114.2-16-30    | 16              | 30      | 4.8 | 1.2 | 19.9 | 15.9 | 22 | 40 | 14.2 | 32 | 110   | 80  |
| GN 114.2-16-35    | 16              | 35      | 4.8 | 1.2 | 19.9 | 15.9 | 22 | 40 | 14.2 | 32 | 110   | 85  |
| GN 114.2-16-40    | 16              | 40      | 4.8 | 1.2 | 19.9 | 15.9 | 22 | 40 | 14.2 | 32 | 110   | 95  |
| GN 114.2-16-45    | 16              | 45      | 4.8 | 1.2 | 19.9 | 15.9 | 22 | 40 | 14.2 | 32 | 110   | 100   |
| GN 114.2-16-50    | 16              | 50      | 4.8 | 1.2 | 19.9 | 15.9 | 22 | 40 | 14.2 | 32 | 110   | 110   |
| GN 114.2-16-60    | 16              | 60      | 4.8 | 1.2 | 19.9 | 15.9 | 22 | 40 | 14.2 | 32 | 110   | 120   |
| GN 114.2-16-70    | 16              | 70      | 4.8 | 1.2 | 19.9 | 15.9 | 22 | 40 | 14.2 | 32 | 110   | 133   |
| GN 114.2-16-80    | 16              | 80      | 4.8 | 1.2 | 19.9 | 15.9 | 22 | 40 | 14.2 | 32 | 110   | 140   |
| GN 114.2-20-30    | 20              | 30      | 4.8 | 1.2 | 23.9 | 19.8 | 25 | 40 | 14.8 | 33 | 187   | 120   |
| GN 114.2-20-35    | 20              | 35      | 4.8 | 1.2 | 23.9 | 19.8 | 25 | 40 | 14.8 | 33 | 187   | 130   |
| GN 114.2-20-40    | 20              | 40      | 4.8 | 1.2 | 23.9 | 19.8 | 25 | 40 | 14.8 | 33 | 187   | 140   |
| GN 114.2-20-45    | 20              | 45      | 4.8 | 1.2 | 23.9 | 19.8 | 25 | 40 | 14.8 | 33 | 187   | 150   |
| GN 114.2-20-50    | 20              | 50      | 4.8 | 1.2 | 23.9 | 19.8 | 25 | 40 | 14.8 | 33 | 187   | 160   |
| GN 114.2-20-60    | 20              | 60      | 4.8 | 1.2 | 23.9 | 19.8 | 25 | 40 | 14.8 | 33 | 187   | 185   |
| GN 114.2-20-70    | 20              | 70      | 4.8 | 1.2 | 23.9 | 19.8 | 25 | 40 | 14.8 | 33 | 187   | 210   |
| GN 114.2-20-80    | 20              | 80      | 4.8 | 1.2 | 23.9 | 19.8 | 25 | 40 | 14.8 | 33 | 187   | 230   |