

Spiral retaining cables



- **Spiral retaining cable**
Copper wire with black plastic PUR sheathed.
- **Fixing loop**
Copper, tin-plated.
- **Ring**
AISI 303 stainless steel.



Accessories on request

Single key rings GN 111.3 (see page 361).

Applications

Spiral retaining cables GN 111.4 are used in connection with low weight elements e. g. ball lock pins and pins with axial lock.

They are distinguished for a large „usual length“.

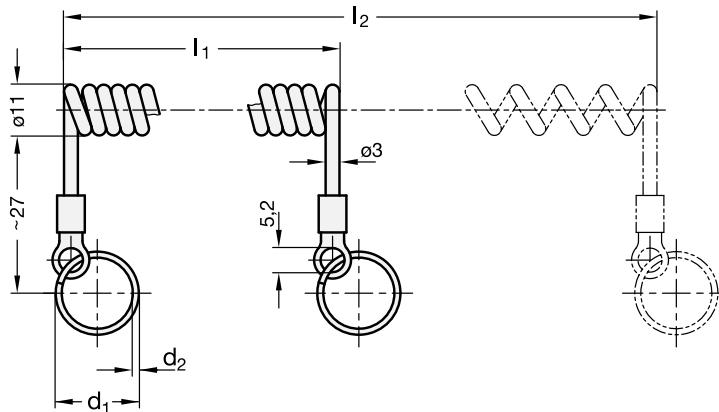
The key rings are supplied unmounted. Both rings have the same $\varnothing d_1$. The load values given in the above table at shear stress are theoretically obtained and indicative only. They are non-binding recommended values and rule out any liability.

Instructions of use

- Suitable for ball lock pins and pins with axial lock

¹⁾ GN 113.1, GN 124 $\varnothing 6$, $\varnothing 8$,
GN 113.3, GN 113.4, GN 113.5, GN 113.6, GN 113.7,
GN 113.8, GN 114.2, GN 114.3, GN 114.6 all \varnothing .

- Suitable for ball lock pins GN 124
²⁾ $\varnothing 10$, $\varnothing 12$, $\varnothing 16$.



Standard Elements	Main dimensions				Static Load in N \approx		Δ	
	Description	$l_1 \pm 3$	d_1	l_2	$d_2 \text{ max. } \approx$	with key ring		without key ring
GN 111.4-50-14		50	14 ¹⁾	250	1	50	60	10
GN 111.4-50-18		50	18 ²⁾	250	1.3	60	60	10
GN 111.4-50-24		50	24	250	1.5	60	60	10
GN 111.4-100-14		100	14 ¹⁾	500	1	50	60	10
GN 111.4-100-18		100	18 ²⁾	500	1.3	60	60	15
GN 111.4-100-24		100	24	500	1.5	60	60	15
GN 111.4-200-14		200	14 ¹⁾	1000	1	50	60	15
GN 111.4-200-18		200	18 ²⁾	1000	1.3	60	60	15
GN 111.4-200-24		200	24	1000	1.5	60	60	18