

VRTP-P+I-SST

INOX
Stainless Steel

ELESA Original design

Spoked handwheels, solid rim with revolving handle



1

36

Operating elements

Material

High-resilience polypropylene based (PP) technopolymer. Resistant to solvents, oils, greases and other chemical agents. Certified in compliance with FDA (U.S. Food and Drug Administration).

Colour

Black, matte finish.

Boss-cap

Anodised aluminium self-adhesive front plate.

Standard execution

AISI 303 stainless steel boss, H7 reamed hole. Revolving handle type I.621 +x-SST in polyamide based (PA) technopolymer, black colour, matte finish.

Special executions on request

- Handwheel without handle.
- Boss with hole and keyway in compliance with DIN 6885/1 P9 tolerance (see catalogue 038, page A17).

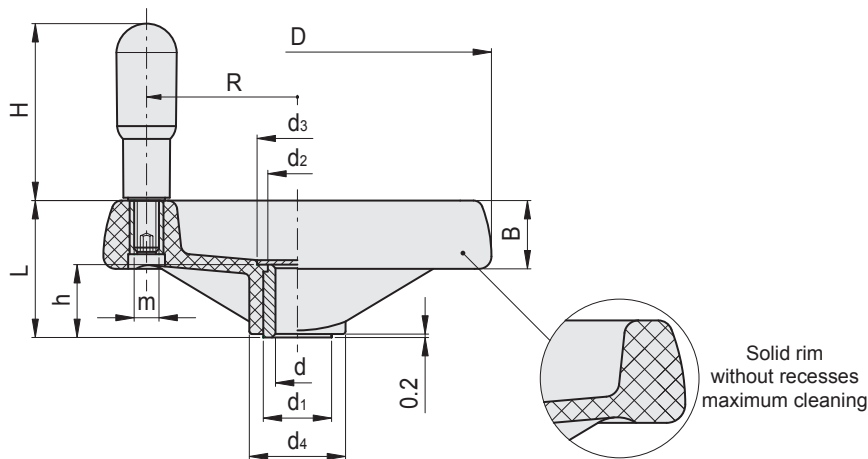
To order the handwheel with keyway complete code and description with the index -K (i.e. 79111-K VRTP.80-P+I-SST-8-K).

Accessories on request

Axial retaining washer type GN 184 (see catalogue 038, page 631).

Features and applications

The solid rim of the handwheel (version P) allows the maximum cleaning thanks to the absence of rear recesses. For this reason, being the technopolymer polypropylene based and the central boss in stainless steel, this version of the handwheel VRTP. is designed for applications that need the fulfillment of hygienic requirements (applications for large kitchens, etc.).



Standard Elements		Main dimension							Bore		Handle			C #	L #	△△
Code	Description	D	L	B	d1	d2	d3	d4	d H7	h	H	m	R	[Nm]	[J]	g
79111	VRTP.80-P+I-SST-8	80	35	18	18	16	20.5	25	8	17	45	M6	29	32	5	104
79161	VRTP.100-P+I-SST-10	99	37	20	18	16	20.5	25.5	10	17	60	M6	37	54	7	145
79211	VRTP.125-P+I-SST-12	125	44	22	22	20	26	31	12	22	65	M8	48	94	10	245
79261	VRTP.160-P+I-SST-14	160	51	25	26	24	31	40	14	27	73	M8	65	185	15	356
79311	VRTP.200-P+I-SST-16	200	61	28	30	28	36	50	16	34	80	M8	84	300	24	552

See Technical Data on catalogue 038, page A8, for maximum applicable torque (C) and impact strength (L).



ELESA and GANTER models all rights reserved in accordance with the law. Always mention the source when reproducing our drawings.