

VRTP+IR

ELESA Original design

Spoked handwheels with fold-away handle



Material

High-resilience polypropylene based (PP) technopolymer. Resistant to solvents, oils, greases and other chemical agents.

Colour

Black, matte finish.

Boss-cap

Anodised aluminium self-adhesive front plate.

VRTP.375: cover in polyester based technopolymer (PBT), grey colour RAL 7035, glossy finish. Provided in the supply press-fit assembly, removable by pressing on the outer edge (ELESA original design).

Standard execution

Black-oxide steel boss, H7 reamed hole.

Fold-away handle IR.620 (see catalogue 038, page 404) in polyamide based (PA) technopolymer, black colour, matte finish.

Special executions on request

Bosses with hole and keyway in compliance with DIN 6885/1 P9 tolerance (see catalogue 038, page A17).

To order the handwheel with keyway complete code and description with the index -K (i.e. 78431-R-K VRTP.80+IR A-8-K).

Accessories on request

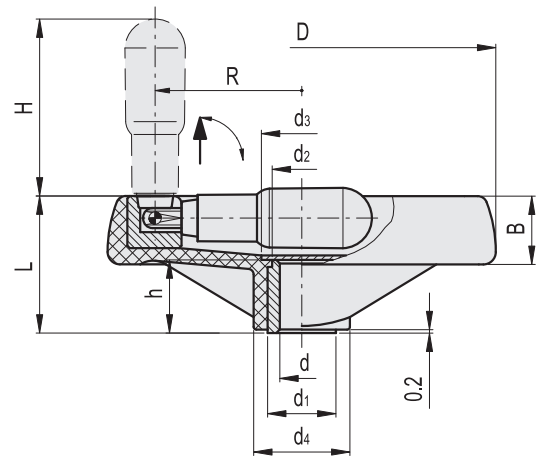
- Axial retaining washer type GN 184 (see catalogue 038, page 631).

- VRTP.125, VRTP.160 and VRTP.200 are available also with boss caps in one of the Ergostyle colours (see table).



Code	Description	Boss cap for
29552-*	ECB.T2-*	VRTP.125
29553-*	ECB.T3-*	VRTP.160
29554-*	ECB.T4-*	VRTP.200

* Complete with colour index (C1, ..., C6).



Standard Elements		Main dimensions							Bore		Handle		C #	L #	△△
Code	Description	D	L	B	d1	d2	d3	d4	d H7	h	H	R	[Nm]	[J]	g
78431-R	VRTP.80+IR A-8	80	35	18	18	16	20.5	25	8	17	45	29	32	5	102
78432-R	VRTP.80+IR A-10	80	35	18	18	16	20.5	25	10	17	45	29	32	5	98
78530-R	VRTP.100+IR A-8	99	37	20	18	16	20.5	25.5	8	17	60	37	54	7	170
78531-R	VRTP.100+IR A-10	99	37	20	18	16	20.5	25.5	10	17	60	37	54	7	163
78532-R	VRTP.100+IR A-12	99	37	20	18	16	20.5	25.5	12	17	60	37	54	7	155
78630-R	VRTP.125+IR A-8	125	44	22	22	20	26	31	8	22	65	48	94	10	235
78631-R	VRTP.125+IR A-12	125	44	22	22	20	26	31	12	22	65	48	94	10	230
78632-R	VRTP.125+IR A-14	125	44	22	22	20	26	31	14	22	65	48	94	10	225
78730-R	VRTP.160+IR A-8	160	51	25	26	24	31	40	8	27	73	65	185	15	395
78731-R	VRTP.160+IR A-14	160	51	25	26	24	31	40	14	27	73	65	185	15	388
78732-R	VRTP.160+IR A-16	160	51	25	26	24	31	40	16	27	73	65	185	15	380
78830-R	VRTP.200+IR A-8	200	61	28	30	28	36	48.5	8	34	80	84	300	24	625
78831-R	VRTP.200+IR A-16	200	61	28	30	28	36	48.5	16	34	80	84	300	24	593
78833-R	VRTP.200+IR A-20	200	61	28	30	28	36	48.5	20	34	80	84	300	24	560
78931-R	VRTP.250+IR A-20	250	69	32	35	33	44	58	20	38	90	105	420	28	932
78933-R	VRTP.250+IR A-24	250	69	32	35	33	44	58	24	38	90	105	420	28	892
78968-R	VRTP.300+IR A-20	300	78	35.5	40	37	52	66	20	43	90	123	480	36	1080
78971-R	VRTP.300+IR A-26	300	78	35.5	40	37	52	66	26	43	90	123	480	36	1210
79031-R	VRTP.375+IR A-26	375	87	39	35	33	70	81	26	43	90	160	380	55	1350

See Technical Data on catalogue 038, page A8, for maximum applicable torque (C) and impact strength (L).