

# VRTP.

ELESA Original design

## Spoked handwheels



- Material**  
High-resilience polypropylene based (PP) technopolymer. Resistant to solvents, oils, greases and other chemical agents.
- Colour**  
Black, matte finish.
- Boss-cap**  
Anodised aluminium self-adhesive front plate.  
VRTP.375: cover in polyester based technopolymer (PBT), grey colour RAL 7035, glossy finish. Provided with the supply, press-fit assembly, removable by pressing on the outer edge (ELESA original design).
- Standard execution**  
Black-oxide steel boss, H7 reamed hole.

### Special executions on request

Bosses with hole and keyway in compliance with DIN 6885/1 P9 tolerance (see catalogue 038, page A17).

To order the handwheel with keyway complete code and description with the index -K (i.e. 78411-R-K VRTP.80 A-8-K).

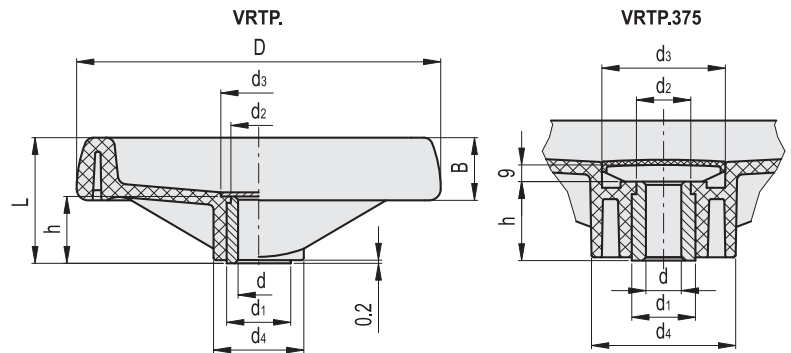
### Accessories on request

- Axial retaining washer type GN 184 (see catalogue 038, page 631).
- VRTP.125, VRTP.160 and VRTP.200 are available also with boss caps in one of the Ergostyle colours (see table).



Code	Description	Boss cap for
29552-*	ECB.T2-*	VRTP.125
29553-*	ECB.T3-*	VRTP.160
29554-*	ECB.T4-*	VRTP.200

\* Complete with colour index (C1.....,C6).



Standard Elements		Main dimensions							Bore		C #	L #	$\Delta$
Code	Description	D	L	B	d1	d2	d3	d4	d H7	h	[Nm]	[J]	g
78411-R	VRTP.80 A-8	80	35	18	18	16	20.5	25	8	17	32	5	74
78412-R	VRTP.80 A-10	80	35	18	18	16	20.5	25	10	17	32	5	70
78510-R	VRTP.100 A-8	99	37	20	18	16	20.5	25.5	8	17	54	7	105
78511-R	VRTP.100 A-10	99	37	20	18	16	20.5	25.5	10	17	54	7	100
78512-R	VRTP.100 A-12	99	37	20	18	16	20.5	25.5	12	17	54	7	95
78610-R	VRTP.125 A-8	125	44	22	22	20	26	31	8	22	94	10	165
78611-R	VRTP.125 A-12	125	44	22	22	20	26	31	12	22	94	10	160
78612-R	VRTP.125 A-14	125	44	22	22	20	26	31	14	22	94	10	155
78710-R	VRTP.160 A-8	160	51	25	26	24	31	40	8	27	185	15	282
78711-R	VRTP.160 A-14	160	51	25	26	24	31	40	14	27	185	15	275
78712-R	VRTP.160 A-16	160	51	25	26	24	31	40	16	27	185	15	263
78810-R	VRTP.200 A-8	200	61	28	30	28	36	48.5	8	34	300	24	490
78811-R	VRTP.200 A-16	200	61	28	30	28	36	48.5	16	34	300	24	460
78813-R	VRTP.200 A-20	200	61	28	30	28	36	48.5	20	34	300	24	430
78911-R	VRTP.250 A-20	250	69	32	35	33	44	58	20	38	420	28	730
78913-R	VRTP.250 A-24	250	69	32	35	33	44	58	24	38	420	28	710
78948-R	VRTP.300 A-20	300	78	35.5	40	37	52	66	20	43	480	36	940
78951-R	VRTP.300 A-26	300	78	35.5	40	37	52	66	26	43	480	36	970
79011-R	VRTP.375 A-26	375	87	39	35	33	70	81	26	43	380	55	1350

# See Technical Data on catalogue 038, page A8, for maximum applicable torque (C) and impact strength (L).



ELESA and GANTER models all rights reserved in accordance with the law. Always mention the source when reproducing our drawings.