

VD.FP-SST

INOX
Stainless Steel

ELESA Original design

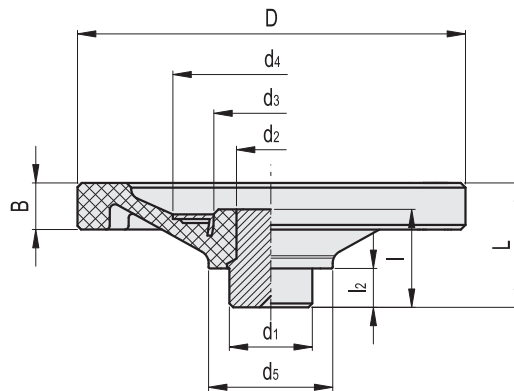
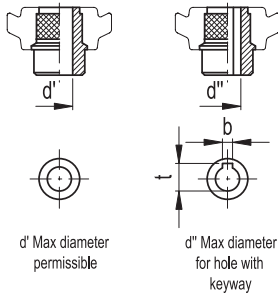
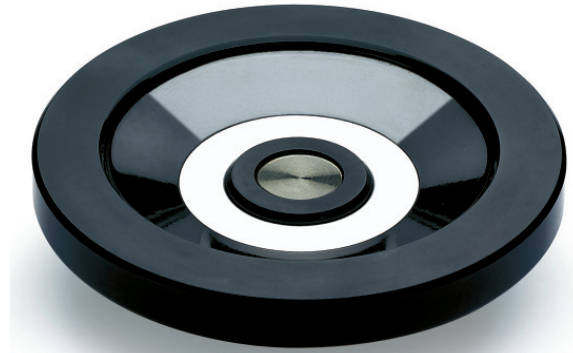
Solid handwheels



- **Material**
High-strength, reinforced phenolic based (PF) Duroplast. Resistant to solvents, oils, greases and other chemical agents.
- **Colour**
Black, glossy finish.
- **Ring**
Matte anodised aluminium (ELESA original design).
- **Standard execution**
AISI 303 stainless steel hub, uncovered front end not drilled. See table for maximum permissible boring diameter d' and d'' .

Accessories on request

Axial retaining washer type GN 184.5 (see catalogue O38, page 631).



Standard Elements		Main dimensions										Max permissible holes				C #	L #	\triangle
Code	Description	D	L	B	d1	d2	d3	d4	d5	l	l2	d'	d''	t	b	[Nm]	[J]	g
70461	VD.100 FP-SST	100	40	15	24	20	35	54	39	36	12	16	13	15.3	5	150	11	260
70561	VD.125 FP-SST	125	44	15	32	24	44	70	46	38	15	20	16	18.3	5	300	14	380
70761	VD.150 FP-SST	150	48	18	32	24	44	70	48	38	15	20	16	18.3	5	300	19	510
70961	VD.200 FP-SST	200	57	21	40	31	55	90	60	43	15	26	22	24.8	6	700	36	970
71161	VD.250 FP-SST	249	65	25	49	38	66	110	70	44	15	35	27	30.3	8	1300	40	1520
71261	VD.300 FP-SST	301	75	25	58	58	94	148	82	56	18	42	38	41.3	10	1500	48	2920

See Technical Data on catalogue O38, page A8, for maximum applicable torque (C) and impact strength (L).