

# VD.FP+I-SST

**INOX**  
Stainless Steel

ELESA Original design

## Solid handwheels with revolving handle



- **Material**  
High-strength, reinforced phenolic based (PF) Duroplast. Resistant to solvents, oils, greases and other chemical agents.
- **Colour**  
Black, glossy finish.
- **Ring**  
Matte anodised aluminium (ELESA original design).
- **Standard execution**  
AISI 303 stainless steel hub, uncovered front end not drilled. See table for maximum permissible boring diameter  $d'$  and  $d''$ .  
Revolving handle I.301+x-SST in phenolic based (PF) Duroplast, black colour, glossy finish.

### Accessories on request

Axial retaining washer type GN 184.5 (see catalogue 038, page 631).

### Special executions on request

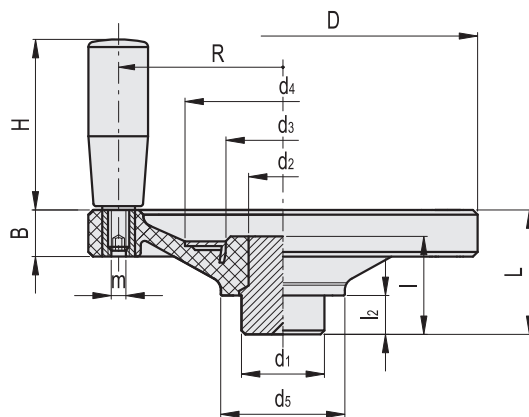
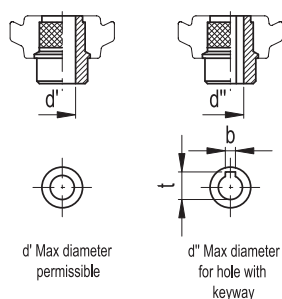
- VD.FP+I+W-SST with incorporated counterweights for VD.200, VD.250.



1

53

Operating elements



Standard Elements		Main dimensions										Handle			Max permissible holes				C #	L #	⚖
Code	Description	D	L	B	d1	d2	d3	d4	d5	l	l2	H	m	R	d'	d''	t	b	[Nm]	[J]	g
70481	VD.100 FP+I-SST	100	40	15	24	20	35	54	39	36	12	50	M6	41	16	13	15.3	5	150	11	300
70581	VD.125 FP+I-SST	125	44	15	32	24	44	70	46	38	15	65	M8	53	20	16	18.3	5	300	14	465
70781	VD.150 FP+I-SST	150	48	18	32	24	44	70	48	38	15	65	M8	64	20	16	18.3	5	300	19	580
70981	VD.200 FP+I-SST	200	57	21	40	31	55	90	60	43	15	90	M10	86	26	22	24.8	6	700	36	1080
71181	VD.250 FP+I-SST	249	65	25	49	38	66	110	70	44	15	90	M10	109	35	27	30.3	8	1300	40	1630
71281	VD.300 FP+I-SST	301	75	25	58	58	94	148	82	56	18	90	M10	134	42	38	41.3	10	1500	48	3020

# See Technical Data on catalogue 038, page A8, for maximum applicable torque (C) and impact strength (L).