

## Spoked handwheels with fixed handle

RoHS

### • Material

AISI 316 LHC stainless steel.

- acid resistant.
- hub machined.
- rim turned and polished.
- unmachined surface matt shot-blasted.

### • Assembly

- Version **B**: H9 reamed hole.
- Version **K**: H9 reamed hole and keyway in compliance with DIN 6885/1 P9 tolerance (see catalogue 038, page A17).

For fixing GN 950.6-F on shafts by a grub screw see Technical Data (see catalogue 038, page A18).

### • Fixed Handle

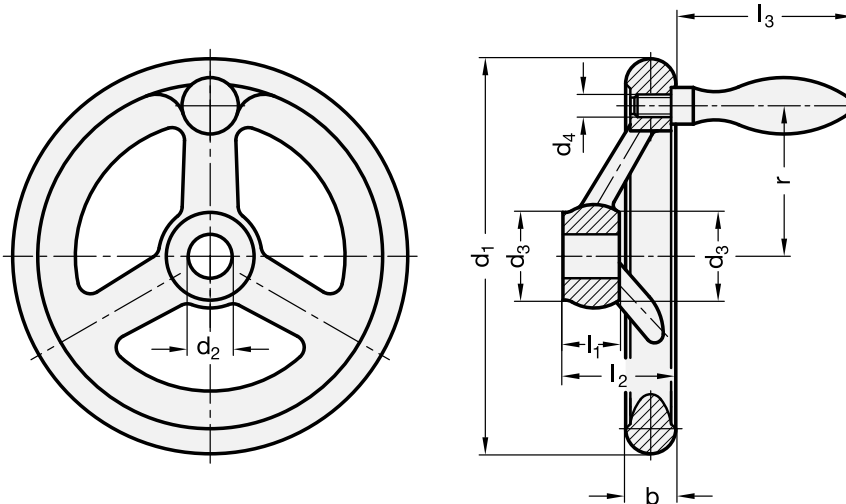
Type DIN 39-A4 turned and mirror-polished stainless steel.

### Accessories on request

Axial retaining washer GN 184.5 (see catalogue 038, page 631).

### Features and applications

The dimensions of the spoked handwheels with fixed handle GN 950.6 comply extensively with spoked handwheels DIN 950-F.



Standard Elements	Main dimensions				Bore		Handle				Spokes no.	$\Delta$ g
	Description	d1	d3 ≈	b	l2 ≈	d2 H9	l1	l3	∅	r		
GN 950.6-100-B10-F	100	25.5	14.5	33	10	17	48.5	16	36	M6	3	480
GN 950.6-100-K10-F	100	25.5	14.5	33	10	17	48.5	16	36	M6	3	470
GN 950.6-125-B12-F	125	27	15.8	35.5	12	18	62	20	47	M8	3	770
GN 950.6-125-K12-F	125	27	15.8	35.5	12	18	62	20	47	M8	3	760
GN 950.6-140-B14-F	140	29	17	38.5	14	19	62	20	52	M8	3	940
GN 950.6-140-K14-F	140	29	17	38.5	14	19	62	20	52	M8	3	930
GN 950.6-160-B14-F	160	31	17.5	39.5	14	20	77	25	62	M10	3	1320
GN 950.6-160-K14-F	160	31	17.5	39.5	14	20	77	25	62	M10	3	1310
GN 950.6-200-B18-F	200	37	20	44.5	18	24	77	25	80	M10	3	2060
GN 950.6-200-K18-F	200	37	20	44.5	18	24	77	25	80	M10	3	2000