

Spoked handwheels



Material

- AISI 316 LHC stainless steel.
- acid resistant.
- hub machined.
- rim turned and polished.
- unmachined surface matt shot-blasted.

Hub

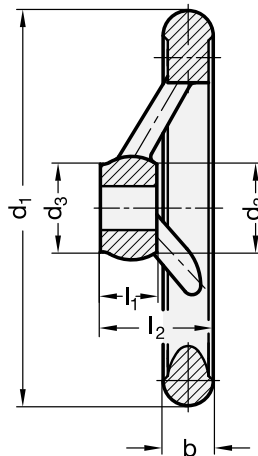
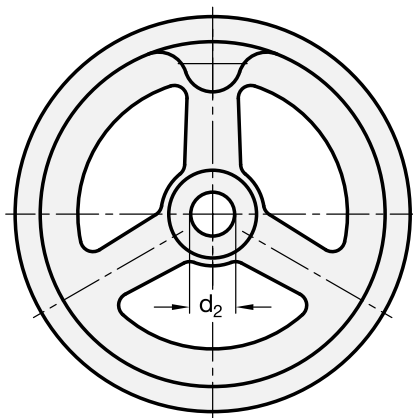
- Version **B**: H9 reamed hole.
 - Version **K**: H9 reamed hole and keyway in compliance with DIN 6885/1 P9 tolerance (see catalogue 038, page A17).
- For fixing GN 950.6-A on shafts by a grub screw see Technical Data (see catalogue 038, page A18).

Accessories on request

Axial retaining washer GN 184.5 (see catalogue 038, page 631).

Features and applications

The dimensions of the spoked handwheels GN 950.6-A comply extensively with spoked handwheels DIN 950-A.



Standard Elements	Main dimensions				Bore		Spokes no.	△△
	Description	d ₁	d ₃ ≈	b	l ₂ ≈	d ₂ H9		l ₁
GN 950.6-100-B10-A	100	25.5	14.5	33	10	17	3	433
GN 950.6-100-K10-A	100	25.5	14.5	33	10	17	3	430
GN 950.6-125-B12-A	125	27	15.8	35.5	12	18	3	660
GN 950.6-125-K12-A	125	27	15.8	35.5	12	18	3	655
GN 950.6-140-B14-A	140	29	17	38.5	14	19	3	865
GN 950.6-140-K14-A	140	29	17	38.5	14	19	3	840
GN 950.6-160-B14-A	160	31	17.5	39.5	14	20	3	1156
GN 950.6-160-K14-A	160	31	17.5	39.5	14	20	3	1150
GN 950.6-200-B18-A	200	37	20	44.5	18	24	3	1938
GN 950.6-200-K18-A	200	37	20	44.5	18	24	3	1930