

Spoked handwheels with revolving handle

RoHS

• Material

AISI CF-8 stainless steel, precision casting, rim turned, matte shot-blasted.

• Hub

- Version **B**: H8 reamed hole.

- Version **K**: H8 reamed hole and keyway in compliance with DIN 6885/1 P9 tolerance (see catalogue 038, page A17).

For fixing GN 949-A on shafts by a grub screw see Technical Data (see catalogue 038, page A18).

• Revolving handle

Phenolic based (PF) Duroplast, black colour, glossy finish.

Similar to GN 598 (see catalogue 038, page 396), but with AISI 303 stainless steel shank and hexagon before the thread.

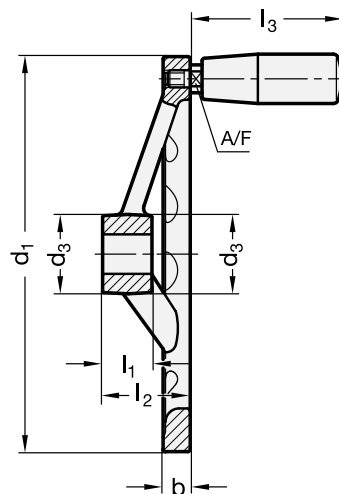
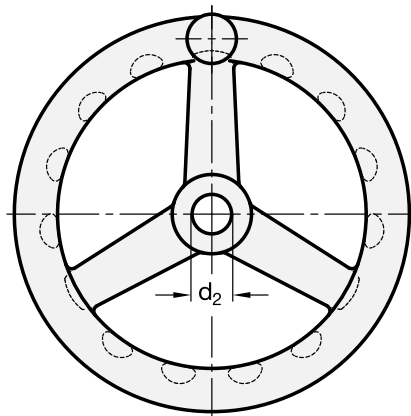
Resistant to solvents, oils, greases and other chemical agents.

Accessories on request

Axial retaining washer GN 184.5 (see catalogue 038, page 631).

Features and applications

The design of spoked handwheels GN 949-D complies with the requirements of hygiene standards.



Standard Elements	Main dimensions					Bore		Handle		Spokes no.	△ g
	d ₁	d ₃	b	l ₂ ≈	l ₃ ≈	d ₂	l ₁	∅	A/F		
GN 949-100-B10-D	100	20	7	27.5	45	10	15	18	9	3	260
GN 949-100-K10-D	100	20	7	27.5	45	10	15	18	9	3	255
GN 949-100-B12-D	100	20	7	27.5	45	12	15	18	9	3	260
GN 949-100-K12-D	100	20	7	27.5	45	12	15	18	9	3	255
GN 949-125-B12-D	125	24	9	28.5	55	12	16	21	9	3	440
GN 949-125-K12-D	125	24	9	28.5	55	12	16	21	9	3	430
GN 949-125-B14-D	125	24	9	28.5	55	14	16	21	9	3	440
GN 949-125-K14-D	125	24	9	28.5	55	14	16	21	9	3	430
GN 949-140-B14-D	140	28	10	30.5	71	14	18	23	11	3	680
GN 949-140-K14-D	140	28	10	30.5	71	14	18	23	11	3	670
GN 949-140-B16-D	140	28	10	30.5	71	16	18	23	11	3	680
GN 949-140-K16-D	140	28	10	30.5	71	16	18	23	11	3	670
GN 949-160-B14-D	160	31	11	35.5	71	16	20	23	11	3	900
GN 949-160-K14-D	160	31	11	35.5	71	16	20	23	11	3	890
GN 949-160-B16-D	160	31	11	35.5	71	16	20	23	11	3	900
GN 949-160-K16-D	160	31	11	35.5	71	16	20	23	11	3	890
GN 949-200-B18-D	200	36	14	39	71	18	23	23	11	3	1544
GN 949-200-K18-D	200	36	14	39	71	18	23	23	11	3	1534
GN 949-200-B20-D	200	36	14	39	71	20	23	23	11	3	1495
GN 949-200-K20-D	200	36	14	39	71	20	23	23	11	3	1485