

GN 924-R

Spoked handwheels with revolving handle

RoHS

Material

Aluminium pressure die casting, hub machined, rim turned.

Colour

- Version **SW**: plastic coated, black RAL 9005, textured finish.

- Version **SR**: plastic coated, silver RAL 9006, textured finish.

Assembly

- Version **B**: hub with H7 tolerance plain hole.

- Version **K**: hub with H7 reamed hole with keyway in compliance with DIN 6885/1 P9 tolerance (see catalogue 038, page A17).

For fixing GN 924 on shafts by a grub screw see Technical Data (see catalogue 038, page A18).

Plastic cover

Polyamide based (PA) technopolymer, light-grey colour, push-fit assembly

Revolving handle

Type GN 798 in polyamide based (PA) technopolymer, black colour, matte finish. Resistant to solvents, oils, greases and other chemical agents.

The two-volume special design of the handle provides the operator's hand with a safe and ergonomic grip when turning the handwheel.

Accessories on request

Axial retaining washer GN 184 (see catalogue 038, page 631).

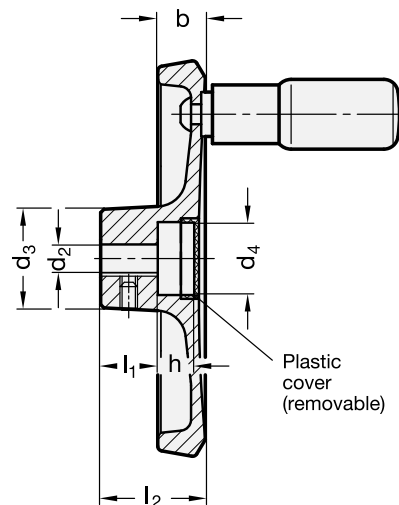
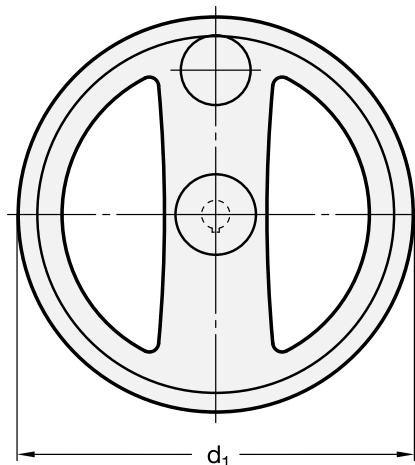
Features and applications

Spoked handwheels GN 924 are distinguished by modern design.

The removable plastic cover shrouds the fixing components such as screws, countersunk washers as well as the shaft end.

Technical data

Axial and radial runout lower than 0.4.



| Standards Elements | Main dimensions | | | | | | Bore | | Handle | Recommended washer | △△ g |
|--------------------|-----------------|----------------|----------------|----------------|------|------|------------------|-------------------|----------------|--------------------|---------|
| | Description | d ₁ | d ₃ | d ₄ | b | h | l ₂ ≈ | d ₂ H7 | l ₁ | | |
| GN 924-125-B12-R-* | 125 | 31 | 23 | 15 | 11 | 33.5 | 12 | 18 | 22 | GN 184-20 | 340 |
| GN 924-125-K12-R-* | 125 | 31 | 23 | 15 | 11 | 33.5 | 12 | 18 | 22 | GN 184-20 | 335 |
| GN 924-125-B14-R-* | 125 | 31 | 23 | 15 | 11 | 33.5 | 14 | 18 | 22 | GN 184-20 | 338 |
| GN 924-125-K14-R-* | 125 | 31 | 23 | 15 | 11 | 33.5 | 14 | 18 | 22 | GN 184-20 | 336 |
| GN 924-140-B14-R-* | 140 | 36 | 28.5 | 16.5 | 13 | 36.5 | 14 | 19 | 24 | GN 184-25 | 450 |
| GN 924-140-K14-R-* | 140 | 36 | 28.5 | 16.5 | 13 | 36.5 | 14 | 19 | 24 | GN 184-25 | 440 |
| GN 924-140-B16-R-* | 140 | 36 | 28.5 | 16.5 | 13 | 36.5 | 16 | 19 | 24 | GN 184-25 | 448 |
| GN 924-140-K16-R-* | 140 | 36 | 28.5 | 16.5 | 13 | 36.5 | 16 | 19 | 24 | GN 184-25 | 438 |
| GN 924-160-B14-R-* | 160 | 36 | 28.5 | 18 | 14.5 | 39.5 | 14 | 20 | 24 | GN 184-25 | 560 |
| GN 924-160-K14-R-* | 160 | 36 | 28.5 | 18 | 14.5 | 39.5 | 14 | 20 | 24 | GN 184-25 | 550 |
| GN 924-160-B16-R-* | 160 | 36 | 28.5 | 18 | 14.5 | 39.5 | 16 | 20 | 24 | GN 184-25 | 558 |
| GN 924-160-K16-R-* | 160 | 36 | 28.5 | 18 | 14.5 | 39.5 | 16 | 20 | 24 | GN 184-25 | 548 |
| GN 924-200-B18-R-* | 200 | 42 | 36 | 20.5 | 16 | 45.5 | 18 | 24 | 25 | GN 184-32 | 890 |
| GN 924-200-K18-R-* | 200 | 42 | 36 | 20.5 | 16 | 45.5 | 18 | 24 | 25 | GN 184-32 | 880 |
| GN 924-200-B20-R-* | 200 | 42 | 36 | 20.5 | 16 | 45.5 | 20 | 24 | 25 | GN 184-32 | 920 |
| GN 924-200-K20-R-* | 200 | 42 | 36 | 20.5 | 16 | 45.5 | 20 | 24 | 25 | GN 184-32 | 910 |

* Complete the description of the standard item needed by adding the colour of the handwheel: SW (black) or SR (silver).