

GN 923-A

Solid handwheels

RoHS

• Material

Aluminium pressure die casting, hub machined, rim turned.

• Colour

- Version **SW**: plastic coated, black RAL 9005, textured finish.
- Version **SR**: plastic coated, silver RAL 9006, textured finish.

• Assembly

- Version **B**: hub with H7 tolerance plain hole.
 - Version **K**: hub with H7 reamed hole with keyway in compliance with DIN 6885/1 P9 tolerance (see catalogue 038, page A17).
- For fixing GN 923-A on shafts by a grub screw see Technical Data (see catalogue 038, page A18).

• Plastic cover

Polyamide based (PA) technopolymer, light-grey colour, push-fit assembly.

Accessories on request

Axial retaining washer GN 184 (see catalogue 038, page 631).

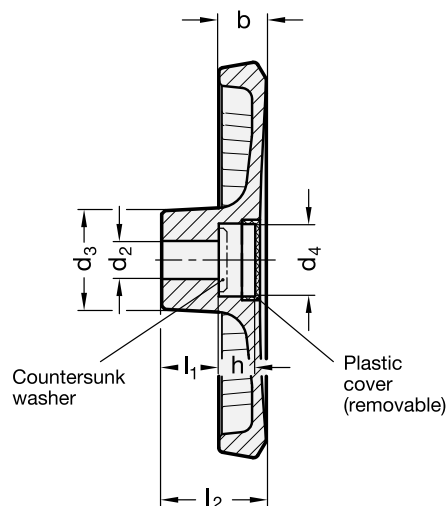
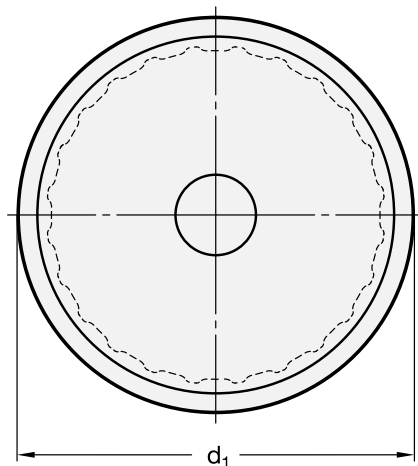
Features and applications

Solid handwheels GN 923-A are distinguished by modern design.

The removable plastic cover shrouds the fixing components such as screws, countersunk washers as well as the shaft end.

Technical data

Axial and radial runout lower than 0.4.



Standard Elements	Main dimensions						Bore		Recommended washer	Δ
Description	d ₁	d ₃	d ₄	b	h	l ₂ ≈	d ₂ H7	l ₁		g
GN 923-80-B10-A*	80	26	17	13	7	26	10	16	GN 184-16	101
GN 923-80-K10-A*	80	26	17	13	7	26	10	16	GN 184-16	99
GN 923-80-B12-A*	80	26	17	13	7	26	12	16	GN 184-16	100
GN 923-80-K12-A*	80	26	17	13	7	26	12	16	GN 184-16	98
GN 923-100-B10-A*	100	28	22	14	9.5	30	10	17	GN 184-20	160
GN 923-100-K10-A*	100	28	22	14	9.5	30	10	17	GN 184-20	152
GN 923-100-B12-A*	100	28	22	14	9.5	30	12	17	GN 184-20	150
GN 923-100-K12-A*	100	28	22	14	9.5	30	12	17	GN 184-20	140
GN 923-125-B12-A*	125	31	22	15	11	33	12	18	GN 184-20	260
GN 923-125-K12-A*	125	31	22	15	11	33	12	18	GN 184-20	255
GN 923-125-B14-A*	125	31	22	15	11	33	14	18	GN 184-20	260
GN 923-125-K14-A*	125	31	22	15	11	33	14	18	GN 184-20	255
GN 923-140-B14-A*	140	36	28.5	16.5	13	36	14	19	GN 184-25	350
GN 923-140-K14-A*	140	36	28.5	16.5	13	36	14	19	GN 184-25	338
GN 923-140-B16-A*	140	36	28.5	16.5	13	36	16	19	GN 184-25	350
GN 923-140-K16-A*	140	36	28.5	16.5	13	36	16	19	GN 184-25	338
GN 923-160-B14-A*	160	36	28.5	18	14.5	39	14	20	GN 184-25	450
GN 923-160-K14-A*	160	36	28.5	18	14.5	39	14	20	GN 184-25	440
GN 923-160-B16-A*	160	36	28.5	18	14.5	39	16	20	GN 184-25	450
GN 923-160-K16-A*	160	36	28.5	18	14.5	39	16	20	GN 184-25	440
GN 923-200-B18-A*	200	42	36	20.5	16	45	18	24	GN 184-32	780
GN 923-200-K18-A*	200	42	36	20.5	16	45	18	24	GN 184-32	770
GN 923-200-B20-A*	200	42	36	20.5	16	45	20	24	GN 184-32	775
GN 923-200-K20-A*	200	42	36	20.5	16	45	20	24	GN 184-32	765

* Complete the description of the standard item needed by adding the colour of the handwheel: SW (black) or SR (silver).