

Crank handles with revolving handle



Material

AISI CF-8 stainless steel.

Revolving handle

Phenolic based (PF) Duroplast, black colour, glossy finish.
Similar to GN 598 (see catalogue 038, page 396), but with AISI 303 stainless steel shank, hexagonal socket at threaded end.
Resistant to solvents, oils, greases and other chemical agents.

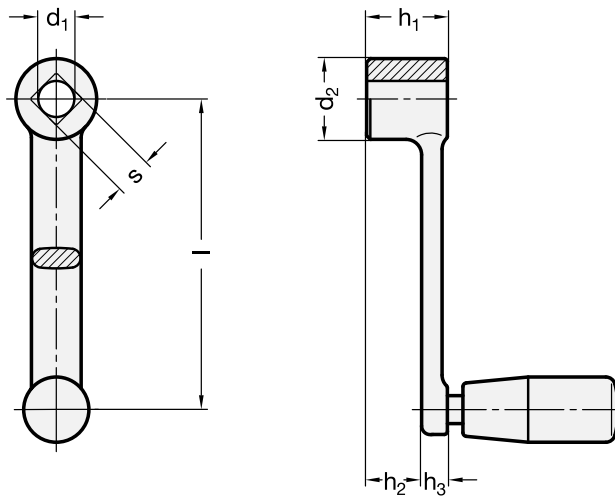
Features and applications

Cranked handles GN 269 have been designed to comply with stringent hygiene requirements.

The cylindrical handles are made of thermoset material which in general provides good stability when exposed to chemicals.



Operating elements



| Standard Elements | Main dimensions | | | | | | | Handle | △△ |
|-------------------|-----------------|-------|-------|----|----|------|-----|--------|-----|
| Description | l | d1 H9 | s H11 | d2 | h1 | h2 ≈ | h3 | Ø | g |
| GN 269-80-B10 | 80 | 10 | - | 22 | 22 | 15.4 | 6.6 | 16 | 120 |
| GN 269-80-V10 | 80 | - | 10 | 22 | 22 | 15.4 | 6.6 | 18 | 123 |
| GN 269-100-B12 | 100 | 12 | - | 26 | 26 | 17.7 | 8.3 | 21 | 200 |
| GN 269-100-V12 | 100 | - | 12 | 26 | 26 | 17.7 | 8.3 | 21 | 187 |
| GN 269-125-B14 | 125 | 14 | - | 28 | 28 | 18.8 | 9.2 | 23 | 300 |
| GN 269-125-V14 | 125 | - | 14 | 28 | 28 | 18.8 | 9.2 | 23 | 320 |
| GN 269-160-B17 | 160 | 17 | - | 32 | 32 | 22.6 | 9.4 | 23 | 380 |
| GN 269-160-V17 | 160 | - | 17 | 32 | 32 | 22.6 | 9.4 | 23 | 370 |