

Pressed steel spoked handwheels



Material

AISI 304 pressed stainless steel, sandblasted matte finish.

Assembly

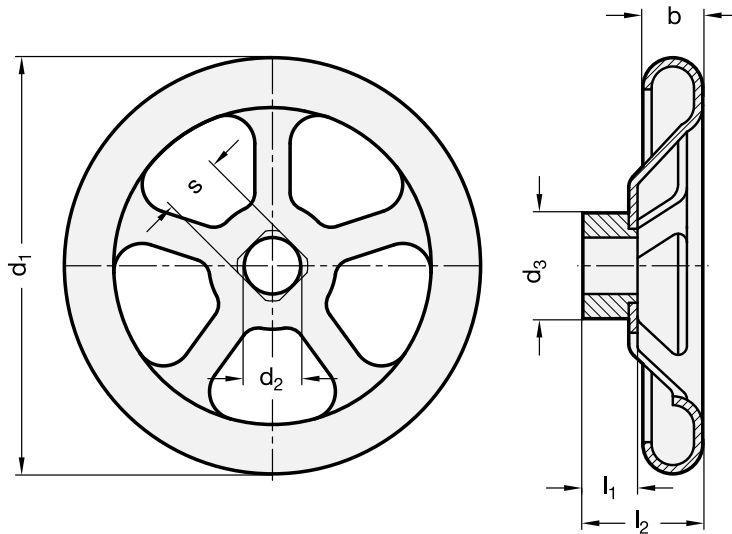
- Version **B**: welded hub, H9 reamed through hole.
 - Version **K**: welded hub, H9 reamed through hole and keyway in compliance with DIN 6885/1 P9 tolerance (see catalogue 038, page A17).
 - Version **V**: welded hub, H11 square through hole.
- For fixing GN 227.2-A on shafts by a grub screw see Technical Data (see catalogue 038, page A18).

Features and applications

Pressed steel spoked handwheels GN 227.2-A are renowned for their high mechanical strength and their resistance to shocks and knocks. AISI 304 stainless steel, thanks to its high resistance to corrosion, allows the application of these handwheels on machines and equipment in such sectors where laws or hygienic, climatic and environmental factors make it mandatory to use corrosion resistant materials.

Technical data

Axial and radial runout lower than IT 12.



Standard Elements Description	Main dimensions				Mounting hole			Spokes no.	△△ g
	d ₁	d ₃	b	l ₂ ≈	d ₂ H9	s H11	l ₁		
GN 227.2-160-B12-A	160	30	22	39	12	-	20	4	430
GN 227.2-160-K12-A	160	30	22	39	12	-	20	4	425
GN 227.2-160-V12-A	160	30	22	39	-	12x12	20	4	428
GN 227.2-200-B14-A	200	40	22	44	14	-	24	4	824
GN 227.2-200-K14-A	200	40	22	44	14	-	24	4	824
GN 227.2-200-V14-A	200	40	22	44	-	14x14	24	4	824
GN 227.2-250-B17-A	250	45	30	52	17	-	28	5	1477
GN 227.2-250-K17-A	250	45	30	52	17	-	28	5	1465
GN 227.2-250-V17-A	250	45	30	52	-	17x17	28	5	1465
GN 227.2-315-B19-A	315	55	36	64	19	-	33	5	2330
GN 227.2-315-K19-A	315	55	36	64	19	-	33	5	2500
GN 227.2-315-V19-A	315	55	36	64	-	19x19	33	5	2100
GN 227.2-400-B24-A	400	65	43	81	24	-	38	5	4210
GN 227.2-400-K24-A	400	65	43	81	24	-	38	5	3900
GN 227.2-400-V24-A	400	65	43	81	-	24x24	38	5	4180