

ELESA Original design

## Steering three-arm handwheels with revolving handles



### Material

Glass-fibre reinforced polypropylene based (PP) technopolymer. Resistant to solvents, oils, greases and other chemical agents.

### Colour

Black, matte finish.

### Boss cap

Polyester based technopolymer (PBT) in Ergostyle colours, glossy finish; supplied not assembled, press-fit assembly, removable by pressing on the outer edge (ELESA original design).

Available also as accessory sold separately (see boss cap table).

Code	Description	Boss cap for
29451-*	ECB.I3-*	EYK.275/400

\* Complete with colour index (C1,.....,C6).

### Standard execution

Black-oxide steel boss, H7 reamed hole.

Revolving handle EBS. in high-resilience polypropylene based (PP) technopolymer, black colour, matte finish, not removable.

### Accessories on request

Axial retaining washer type GN 184 (see catalogue 038, page 631).

### Special executions on request

Bosses with hole and keyway in compliance with DIN 6885/1 P9 tolerance (see catalogue 038, page A17).

To order the handwheel with keyway complete code and description with the index -K (i.e. 208311-K- EYK.400+EBS A-20-K).

For sufficient quantities:

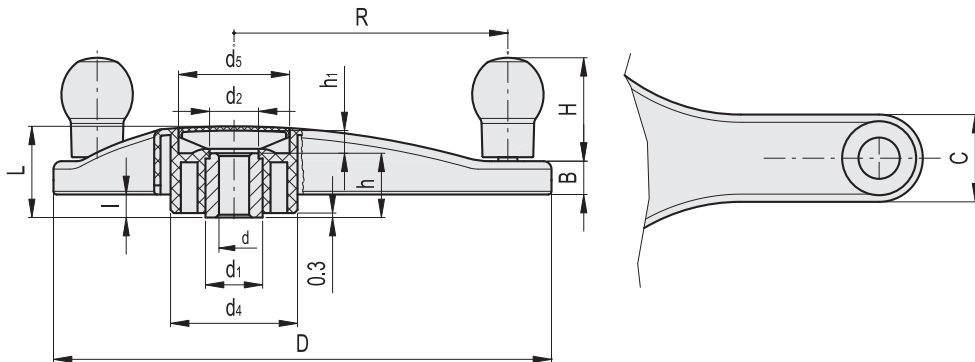
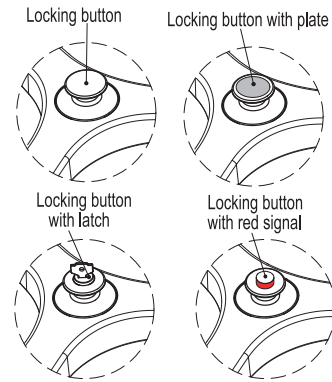
- Executions with locking device and latch (Elesa patent), see drawings.
- EYK. steering handwheel can be personalised with marks, logo or special graphics (tampoprinting), with body or handles with special coloured technopolymer.

### Ergonomy and design

The three equidistant arms (120°) offer a perfect grip and the greatest operational easiness. The rounded lines, the special compact and ergonomic shape of EYK. handwheel design together with the absence of cavities offer an excellent level of safety for hands during the steering operations.



Executions with locking device and latch (Elesa patent)



\* Complete with colour index, example: 208111-C2 EYK.275+I A-20-C2

<span style="display:inline-block; width:15px; height:15px; background-color:black; border:1px solid black;"></span> C1	<span style="display:inline-block; width:15px; height:15px; background-color:orange; border:1px solid black;"></span> C2	<span style="display:inline-block; width:15px; height:15px; background-color:lightgrey; border:1px solid black;"></span> C3	<span style="display:inline-block; width:15px; height:15px; background-color:yellow; border:1px solid black;"></span> C4	<span style="display:inline-block; width:15px; height:15px; background-color:lightblue; border:1px solid black;"></span> C5	<span style="display:inline-block; width:15px; height:15px; background-color:red; border:1px solid black;"></span> C6
RAL7021	RAL2004	RAL7035	RAL1021	RAL5024	RAL3000

Standard Elements		Main dimensions									Bore		Handle		C #	L #	△△	
Code	Description	D	L	B	I	d1	d2	d4	d5	h1	C	d H7	h	H	R	[Nm]	[J]	g
208111-*	EYK.275+I A-20-*	275	54	21	19.5	35	33	76	70	14	50	20	38	65	112.5	270	12	769
208311-*	EYK.400+I A-20-*	400	54	21	12	35	33	80	70	14	55	20	38	65	172.5	270	16	955

# See Technical Data on catalogue 038, page A8, for maximum applicable torque (C) and impact strength (L).