

Steering three-arm handwheel with revolving handles



Material

Glass-fibre reinforced polypropylene based (PP) technopolymer. Resistant to solvents, oils, greases and other chemical agents.

Colour

Black, matte finish.

Boss cap

Polyester based technopolymer (PBT) in Ergostyle colours, glossy finish. Provided with the supply, press-fit assembly, removable by pressing on the outer edge (ELESA original design).

Available also as accessory sold separately (see table).

Code	Description	Boss cap for
29451-*	ECB.I3-*	ETK.400

* Complete with colour index (C1,.....,C6).

Standard execution

Black-oxide steel boss, H7 reamed hole.

Revolving handle I.631+x (see catalogue 038, page 397) high-resilience polypropylene based (PP) technopolymer, black colour, matte finish, not removable.

Accessories on request

Axial retaining washer type GN 184 (see catalogue 038, page 631).

Special executions on request

Bosses with hole and keyway in compliance with DIN 6885/1 P9 tolerance. (see catalogue 038, page A17).

To order the handwheel with keyway complete code and description with the index -K (i.e. 207731-K- ETK.400+I.631 A-20-K).

For sufficient quantities:

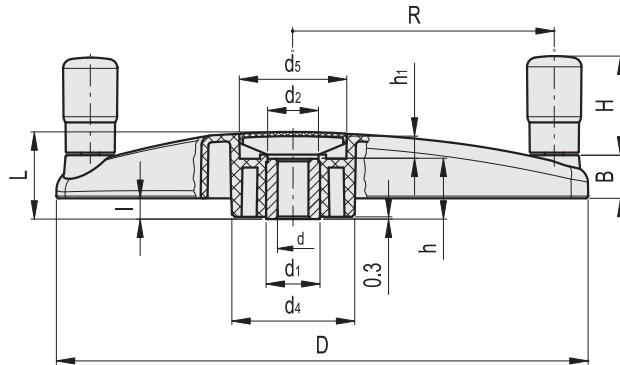
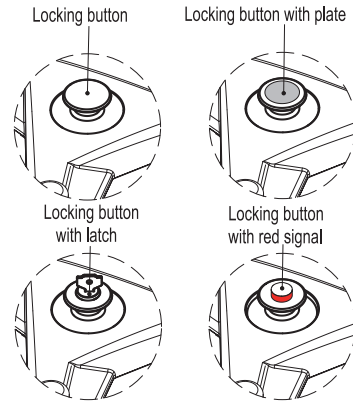
- Executions with locking device and latch (Elesa patent), see drawings.
- ETK. steering handwheel can be personalised with marks, logo or special graphics (tampoprinting). The handwheels or handles can be supplied also in special coloured technopolymer.

Ergonomy and design

The three equidistant arms (120°) offer a perfect grip and the greatest operational easiness. The rounded lines, the special compact and ergonomic shape of ETK. handwheel design together with the absence of cavities offer an excellent level of safety for hands during the steering operations.



Executions with locking device and latch (Elesa patent)



* Complete with colour index, example: 207731-C2 ETK.400+I.631 A-20-C2

C1	C2	C3	C4	C5	C6
RAL7021	RAL2004	RAL7035	RAL1021	RAL5024	RAL3000

Standard elements		Main dimensions						Bore	Handle	C #	L #	⚖					
Code	Description	D	L	B	l	d1	d2	d4	d5	h1	d H7	h	H	R	[Nm]	[J]	g
207731-*	ETK.400+I A-20-*	400	54	28	12	35	33	80	70	14	20	38	65	178	320	18	980

See Technical Data on catalogue 038, page A8, for maximum applicable torque (C) and impact strength (L).