

Guide rail clamps



Material

Glass-fibre reinforced polyamide based (PA) technopolymer. Resistant to solvents, oils, greases and other chemical agents.

Colour

Black, matte finish.

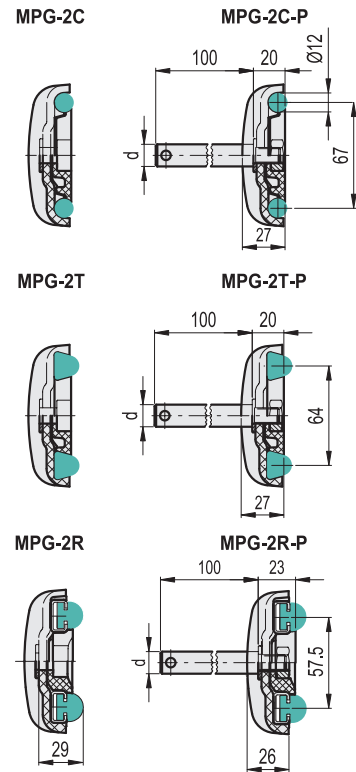
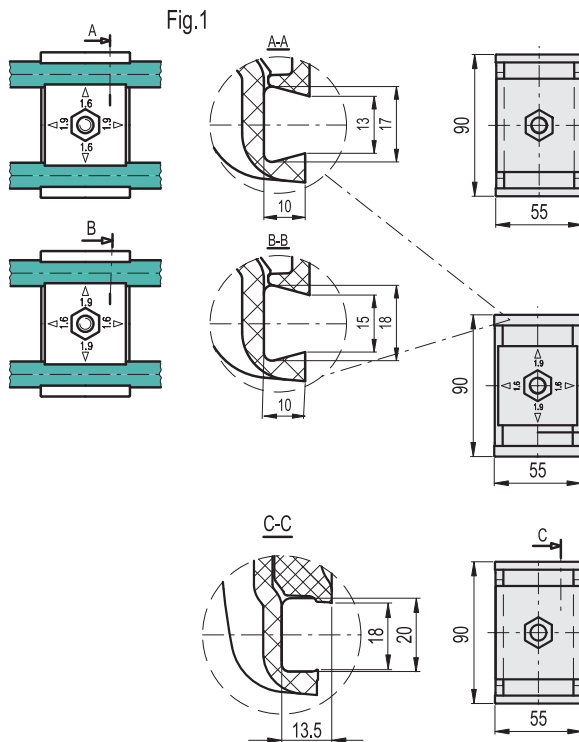
Standard executions

AISI 304 stainless steel washers.

- **MPG-2C**: housings for round guides, without pin.
- **MPG-2C-P**: housings for round guides, with AISI 304 stainless steel pin and clamping nut.
- **MPG-2T**: housings for standard trapezoidal guides, without pin.
- **MPG-2T-P**: housings for standard trapezoidal guides, with AISI 304 stainless steel pin and clamping nut.
- **MPG-2R**: housings for rectangular guides, without pin.
- **MPG-2R-P**: housings for rectangular guides, with AISI 304 stainless steel pin and clamping nut.

Assembly instructions

- Insert the guides into their housings in the rear body of the clamp.
- Couple the front body of the clamp to the rear one. Only for the trapezoidal guide the front body must be coupled according to the trapezoidal guide dimensions (Fig. 1).
- Insert the nut into the housing of the front body of the clamp.
- Screw the nut to clamp.



Standard Elements		Pin dimension	⚖
Code	Description	d	g
419609	MPG-2C	-	68
419681	MPG-2C-P12	12	205
419682	MPG-2C-P14	14	204
419683	MPG-2C-P16	16	203

Standard Elements		Pin dimension	⚖
Code	Description	d	g
419611	MPG-2T	-	67
419684	MPG-2T-P12	12	204
419685	MPG-2T-P14	14	203
419686	MPG-2T-P16	16	202

Elesa Standards		Pin dimension	⚖
Code	Description	d	g
419610	MPG-2R	-	72
419694	MPG-2R-P12	12	212
419695	MPG-2R-P14	14	210
419696	MPG-2R-P16	16	208