

Support bases with three bearings



Material

Glass-fibre reinforced polyamide based (PA) technopolymer. Resistant to solvents, oils, greases and other chemical agents.

Colour

Black, matte finish.

Standard executions

- **BAS3-A**: nuts, M10 screws and washers in zinc-plated steel.
- **BAS3-SST**: nuts, M10 screws and washers in AISI 304 stainless steel.

Assembly of levelling elements

Brass bosses, tapped through holes for the assembly of levelling elements series LS.A (see catalogue 038, page 716), LV.A (see catalogue 038, page 730), LV.F (see catalogue 038, page 736) (available as accessories sold separately).

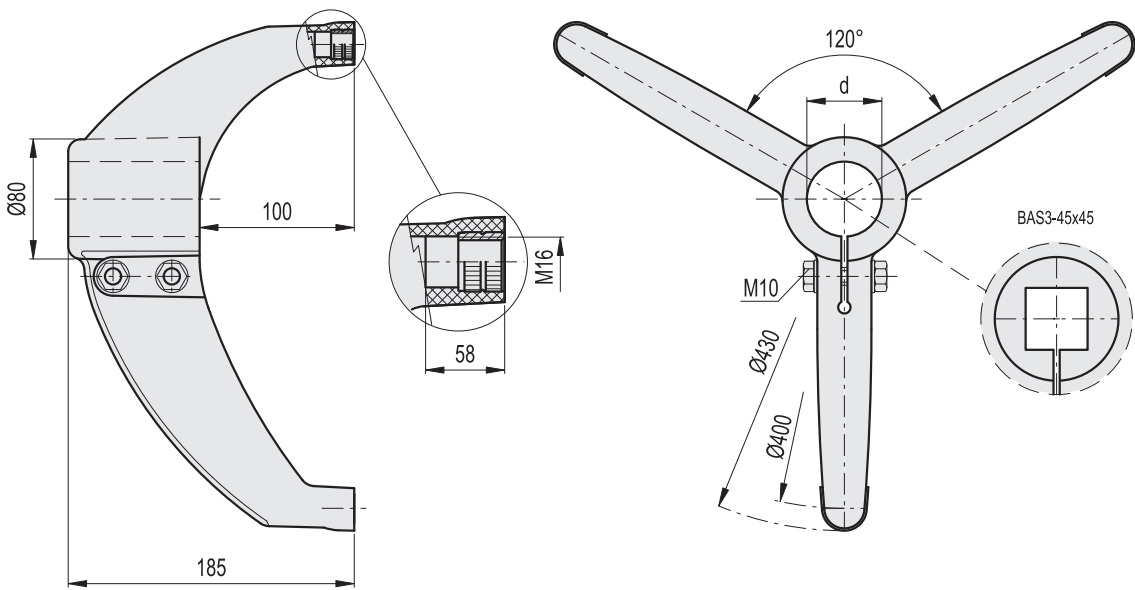
Features and applications

The absence of cavities and the slightly round shapes offer a modern and elegant aesthetics and guarantees the best cleaning.



11
554

Levelling elements



Standard Elements				Tube assembly hole			△△
BAS3-A		BAS3-SST		d			
Code	Description	Code	Description	d	d tube (BSP/GAS)	d inch	g
419592	BAS3-42-A	419593	BAS3-42-SST	42.4	1 1/4	-	800
419590	BAS3-48-A	419591	BAS3-48-SST	48.3	1 1/2	-	790
419594	BAS3-50-A	419595	BAS3-50-SST	50.8	-	2"	780
419588	BAS3-60-A	419589	BAS3-60-SST	60.3	2"	-	770
419752	BAS3-45x45-A	419753	BAS3-45x45-SST	45x45	-	-	795