

# VDSC-XX

ELESA Original design

EXTENDED RANGE

## Solid handwheels for position indicators



### Material

High-resilience polyamide based (PA) technopolymer. Resistant to solvents, oils, greases and other chemicals agents.

### Colour

Black, matte finish.

### Standard executions

Black-oxide steel boss, H7 reamed through hole.

- **VDSC-GXX2+I**: with revolving handle type I.621+x (see catalogue 038, page 397) in polyamide based (PA) technopolymer, black colour, matte finish.

- **VDSC-GXX2+IR**: with revolving handle type IR.620 (see catalogue 038, page 404) in polyamide based (PA) technopolymer, black colour, matte finish.

### Accessories on request

Cover type CP. (see catalogue 038, page 486) for fitting instead of the indicator.

### Indicator choice (to be ordered separately)

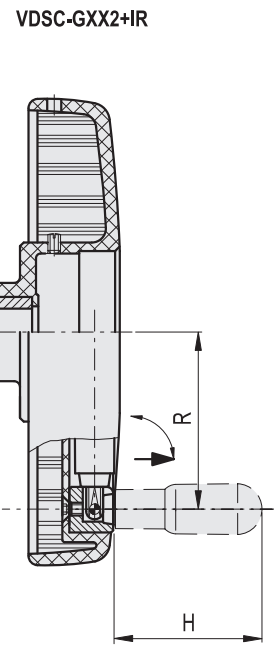
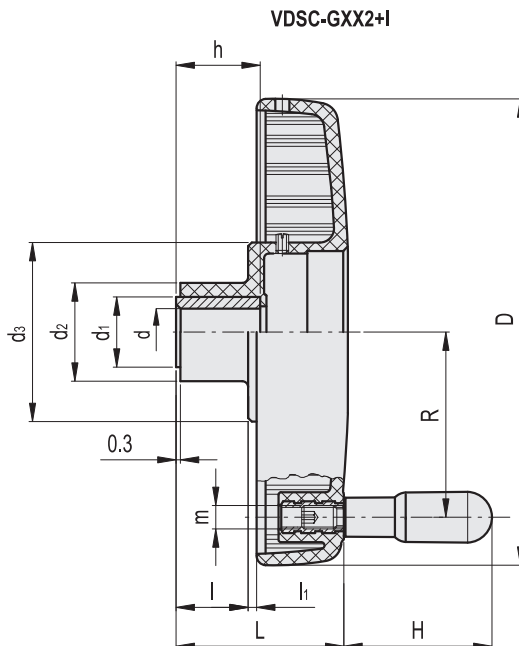
VDSC-XX solid handwheels can be used with analogue and digital-analogue gravity indicators.

To choose the indicator see the table below for possible assembly with indicators.

See also "Assembly instructions for gravity indicators type G" (see catalogue 038, page 465).

Rotary controls

7  
258



Standard Elements		Main dimensions							Bore		Handle			$\Delta$	Handwheel/ indicator combinations
Code	Description	D	L	I	d1	d2	d3	l1	d H7	h	H	m	R	g	
CE.34021	VDSC.125-GXX2 A-10+I	125	63	22	22	35	76	14	10	22	65	M8	48.5	290	GA02 - GA12 - GW12
CE.34081	VDSC.200-GXX2 A-20+I	200	70	30	30	42	76	2	20	34	90	M10	81	680	GA02 - GA12 - GW12
CE.34091	VDSC.200-GXX2 A-20+IR	200	77	36	40	49	77	3.5	20	36	80	-	77	780	GA02 - GA12 - GW12