

## Control knobs

RoHS

### Material

AISI 304 stainless steel, sandblasted matte finish.

- Version **A**: with arrow engraved with laser precision.

- Version **B**: plain surface.

- Version **S**: with scale precision graduation. Numbering increases as the knob is turned clockwise, scale from 0 to 9 (20 dividing marks).

### Grub screw

Stainless steel DIN 916 with internal hexagon and with serrated point.

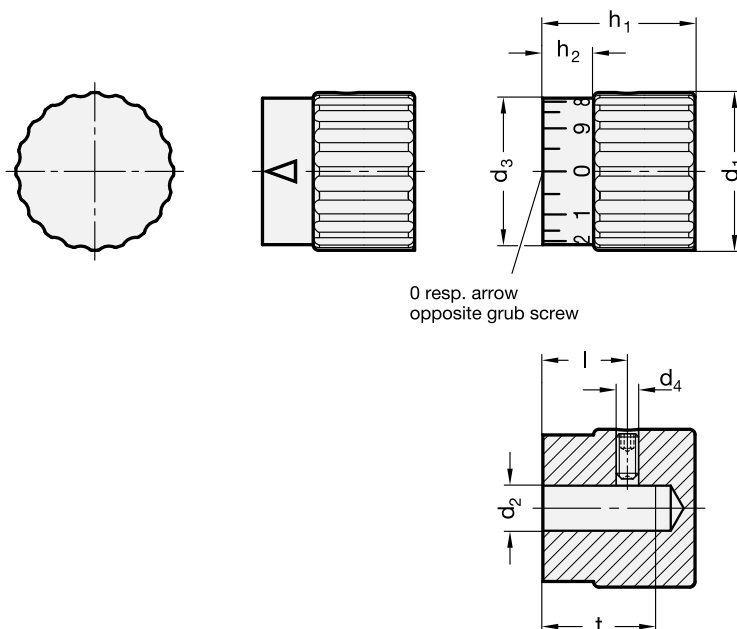
### Special executions on request (For sufficient quantities)

Control knobs with any type of graduation.

### Features and applications

Scale or marking arrow on the stainless steel control knobs GN 436.1 are abrasion-resistant and easy to read.

Regarding design, numbering run, numbering position and numbering sequence of the scale please see the layout for scale rings on the order sheet (How to order Graduations, see catalogue 038, page 414).



0 resp. arrow  
opposite grub screw

Standard Elements	Main dimensions					Mounting hole		$\Delta$
Description	d1	d3	h1	h2	l	d2 H8	t min.	g
GN 436.1-24-B5-A-MT	24	22	24	8	12	B5	18	75
GN 436.1-24-B5-B-MT	24	22	24	8	12	B5	18	75
GN 436.1-24-B5-S-MT	24	22	24	8	12	B5	18	75
GN 436.1-24-B6-A-MT	24	22	24	8	12	B6	18	80
GN 436.1-24-B6-B-MT	24	22	24	8	12	B6	18	80
GN 436.1-24-B6-S-MT	24	22	24	8	12	B6	18	80
GN 436.1-28-B6-A-MT	28	26	27	9	13	B6	20	120
GN 436.1-28-B6-B-MT	28	26	27	9	13	B6	20	120
GN 436.1-28-B6-S-MT	28	26	27	9	13	B6	20	120
GN 436.1-28-B8-A-MT	28	26	27	9	13	B8	20	160
GN 436.1-28-B8-B-MT	28	26	27	9	13	B8	20	160
GN 436.1-28-B8-S-MT	28	26	27	9	13	B8	20	160