

GN 139.2

Hinges

RoHS

Material

Zinc alloy die-cast, silver metallic epoxy resin coating.

Pin

AISI 303 stainless steel.

Load ratings

- for $l_1 = 49$: 1500 Nm (axial), 1000 Nm (radial), 25 Nm (torsion).

- for $l_1 = 79$: 500 Nm (axial), 750 Nm (radial), 12 Nm (torsion).

Accessories on request

Mounting plates GN 139.3 / GN 139.4 (see page 606 and 607).

Features and applications

Hinges without safety switch GN 139.2 are identical with the version with safety switch except the connector plug. In addition, the covered bolts at the rear make the hinge tamper-proof.

The compact construction combines safety and attractive design.

The version with broad hinge wing has been designed for mounting against glass or polycarbonate doors.

Special execution on request (For sufficient quantities)

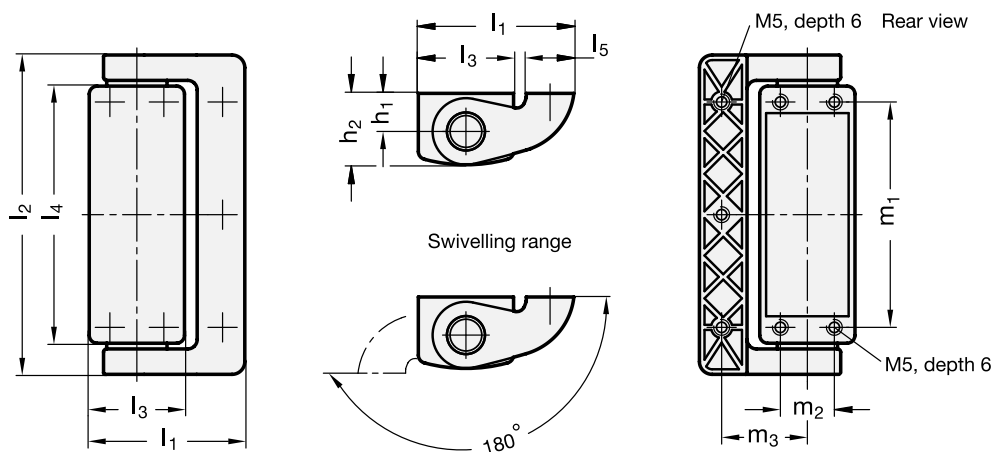
Hinges with operating angle 0° .



12

605

Hinges



Standard Elements	Main dimensions										\triangle
Description	l_1	l_2	l_3	l_4	l_5	h_1	h_2	m_1	m_2	m_3	g
GN 139.2-49-101	49	101	30	81	15	12	22.5	71	17	27	308
GN 139.2-79-101	79	101	30	81	30	12	22.5	71	17	50	427