

GN 751-AL

DIN 71752-AL

Fork joints Fork heads

RoHS



- **Material**

Aluminium **AL**, anodized, black.

- **Shaft safety**

Spring steel, hardened and tempered, zinc plated, blue passivated.

- **Assembly**

GN 751 fork joints consist of a DIN 71752 fork head.

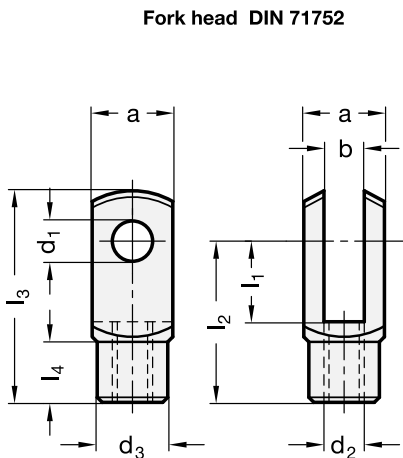
- Version **KL**: with KL-shaft safety.

- Version **SL**: with SL-shaft safety.

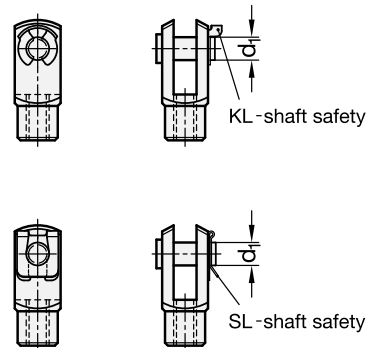
Features and applications

Fork joints GN 751 in aluminium consist of a fork head according DIN 71752 and a fork pin with KL-shaft safety or SL-shaft safety.

Owing to the anodized coating of the fork head and of the bolt, the bearing is virtually non-wearing.



Fork joints GN 751



Standard Elements		Main dimensions									Δ
Off pin	Complete										Δ
Description	Description	d ₁ h ₁₁	l ₁	d ₂	a	b	d ₃	l ₂	l ₃	l ₄	g
DIN 71752-4-8-M4-AL	GN 751-4-8-M4-KL-AL	4	8	M4	8	4	8	16	21	6	6
DIN 71752-4-8-M4-AL	GN 751-4-8-M4-SL-AL	4	8	M4	8	4	8	16	21	6	6
DIN 71752-4-16-M4-AL*	GN 751-4-16-M4-KL-AL*	4	16	M4	8	4	8	24	29	6	11
DIN 71752-4-16-M4-AL*	GN 751-4-16-M4-SL-AL*	4	16	M4	8	4	8	24	29	6	11
DIN 71752-5-10-M5-AL	GN 751-5-10-M5-KL-AL	5	10	M5	10	5	9	20	26	7.5	10
DIN 71752-5-10-M5-AL	GN 751-5-10-M5-SL-AL	5	10	M5	10	5	9	20	26	7.5	10
DIN 71752-5-20-M5-AL*	GN 751-5-20-M5-KL-AL*	5	20	M5	10	5	9	30	36	7.5	18
DIN 71752-5-20-M5-AL*	GN 751-5-20-M5-SL-AL*	5	20	M5	10	5	9	30	36	7.5	18
DIN 71752-6-12-M6-AL	GN 751-6-12-M6-KL-AL	6	12	M6	12	6	10	24	31	9	20
DIN 71752-6-12-M6-AL	GN 751-6-12-M6-SL-AL	6	12	M6	12	6	10	24	31	9	20
DIN 71752-6-24-M6-AL*	GN 751-6-24-M6-KL-AL*	6	24	M6	12	6	10	36	43	9	28
DIN 71752-6-24-M6-AL*	GN 751-6-24-M6-SL-AL*	6	24	M6	12	6	10	36	43	9	28
DIN 71752-8-16-M8-AL	GN 751-8-16-M8-KL-AL	8	16	M8	16	8	14	32	42	12	45
DIN 71752-8-16-M8-AL	GN 751-8-16-M8-SL-AL	8	16	M8	16	8	14	32	42	12	45
DIN 71752-8-32-M8-AL*	GN 751-8-32-M8-KL-AL*	8	32	M8	16	8	14	48	58	12	62
DIN 71752-8-32-M8-AL*	GN 751-8-32-M8-SL-AL*	8	32	M8	16	8	14	48	58	12	62
DIN 71752-10-20-M10-AL	GN 751-10-20-M10-KL-AL	10	20	M10	20	10	18	40	52	15	90
DIN 71752-10-20-M10-AL	GN 751-10-20-M10-SL-AL	10	20	M10	20	10	18	40	52	15	90
DIN 71752-10-40-M10-AL*	GN 751-10-40-M10-KL-AL*	10	40	M10	20	10	18	60	72	15	125
DIN 71752-10-40-M10-AL*	GN 751-10-40-M10-SL-AL*	10	40	M10	20	10	18	60	72	15	125
DIN 71752-12-24-M12-AL	GN 751-12-24-M12-KL-AL	12	24	M12	24	12	20	48	62	18	144
DIN 71752-12-24-M12-AL	GN 751-12-24-M12-SL-AL	12	24	M12	24	12	20	48	62	18	144
DIN 71752-12-48-M12-AL*	GN 751-12-48-M12-KL-AL*	12	48	M12	24	12	20	72	86	18	220
DIN 71752-12-48-M12-AL*	GN 751-12-48-M12-SL-AL*	12	48	M12	24	12	20	72	86	18	220
DIN 71752-14-28-M14-AL	GN 751-14-28-M14-KL-AL	14	28	M14	27	14	24	56	72	22.5	220
DIN 71752-14-28-M14-AL	GN 751-14-28-M14-SL-AL	14	28	M14	27	14	24	56	72	22.5	220
DIN 71752-14-56-M14-AL*	GN 751-14-56-M14-KL-AL*	14	56	M14	27	14	24	85	101	22.5	300
DIN 71752-14-56-M14-AL*	GN 751-14-56-M14-SL-AL*	14	56	M14	27	14	24	85	101	22.5	300
DIN 71752-16-32-M16-AL	GN 751-16-32-M16-KL-AL	16	32	M16	32	16	26	64	83	24	335
DIN 71752-16-32-M16-AL	GN 751-16-32-M16-SL-AL	16	32	M16	32	16	26	64	83	24	335
DIN 71752-16-64-M16-AL*	GN 751-16-64-M16-KL-AL*	16	64	M16	32	16	26	96	115	24	460
DIN 71752-16-64-M16-AL*	GN 751-16-64-M16-SL-AL*	16	64	M16	32	16	26	96	115	24	460

* not available from stock, requires a minimum order quantity.