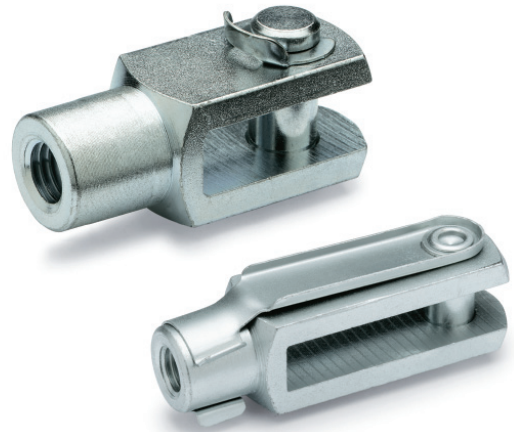


GN 751 DIN 71752

EXTENDED RANGE



Fork joints Fork heads

RoHS

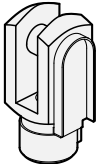
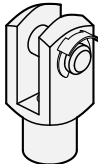
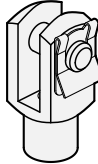
- **Material**
Zinc-plated steel, blue passivated.
- **Shaft safety**
Spring steel, hardened and tempered, zinc-plated, blue passivated.
- **Assembly**
GN 751 fork joints consist of a DIN 71752 fork head.
Pin hole (d2) with standard thread.
 - Type **B**: fork pin with snap-on spring.
 - Type **KL**: fork pin with KL-shaft safety.
 - Type **SL**: fork pin with SL-shaft safety.
- **Other standard versions available**
 - Version **L**: pin hole (d2) with left-hand thread.
 - Version **F**: pin hole (d2) with fine thread.

Features and applications

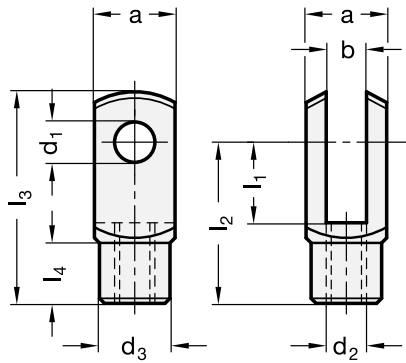
Fork joints GN 751 consist of a fork head according DIN 71752 and a fork pin with shaft safety (type KL and SL) or a fork pin with snap-on spring (type B). Both versions can be dismantled without tools and monitor. Size d1 = 12 is supplied with a fine thread M12x1,5 according to DIN. In practice, however, M12x1,25 is preferred. Standard DIN 71752 does not foresee size d1 = 20.

10
462

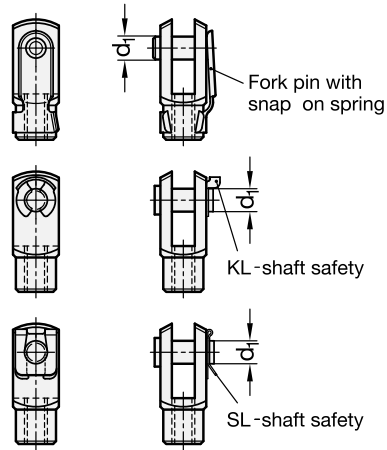
Joins

Types of fork joint shafts	
<p>Snap-on spring</p> 	<p>The snap-on spring is easily mounted and dismantled. It is therefore particularly suitable for applications where the articulated connection needs to be loosened often.</p>
<p>KL - shaft safety</p> 	<p>The KL-shaft safety ring can be fitted and dismantled without tools, i.e. by hand.</p>
<p>SL - shaft safety</p> 	<p>The SL-shaft safety ring requires a tool for dismantling (e.g. a screw driver). It is therefore better secured.</p>


Fork head DIN 71752




Fork joints GN 751



Standard Elements		Main dimensions									△△
Off pin	Complete	d1 H8/h11	l1	d2	a	b	d3	l2	l3	l4	g
Description	Description										
DIN 71752-4-8-M4	GN 751-4-8-M4-KL	4	8	M4	8	4	8	16	21	6	5
DIN 71752-4-8-M4	GN 751-4-8-M4-SL	4	8	M4	8	4	8	16	21	6	5
DIN 71752-4-16-M4	GN 751-4-16-M4-KL	4	16	M4	8	4	8	16	24	6	6
DIN 71752-4-16-M4	GN 751-4-16-M4-SL	4	16	M4	8	4	8	16	24	6	6
DIN 71752-5-10-M5	GN 751-5-10-M5-KL	5	10	M5	10	5	9	20	26	7.5	9
DIN 71752-5-10-M5	GN 751-5-10-M5-B	5	10	M5	10	5	9	20	26	7.5	10
DIN 71752-5-10-M5	GN 751-5-10-M5-SL	5	10	M5	10	5	9	20	26	7.5	9
DIN 71752-5-10-M5L	GN 751-5-10-M5L-KL	5	10	M5L	10	5	9	20	26	7.5	10
DIN 71752-5-10-M5L	GN 751-5-10-M5L-B	5	10	M5L	10	5	9	20	26	7.5	10
DIN 71752-5-10-M5L	GN 751-5-10-M5L-SL	5	10	M5L	10	5	9	20	26	7.5	10
DIN 71752-5-20-M5	GN 751-5-20-M5-KL	5	20	M5	10	5	9	30	36	7.5	19
DIN 71752-5-20-M5	GN 751-5-20-M5-B	5	20	M5	10	5	9	30	36	7.5	15
DIN 71752-5-20-M5	GN 751-5-20-M5-SL	5	20	M5	10	5	9	30	36	7.5	19
DIN 71752-5-20-M5L	GN 751-5-20-M5L-KL	5	20	M5L	10	5	9	30	36	7.5	19
DIN 71752-5-20-M5L	GN 751-5-20-M5L-B	5	20	M5L	10	5	9	30	36	7.5	15
DIN 71752-5-20-M5L	GN 751-5-20-M5L-SL	5	20	M5L	10	5	9	30	36	7.5	19
DIN 71752-6-12-M6	GN 751-6-12-M6-KL	6	12	M6	12	6	10	24	31	9	20
DIN 71752-6-12-M6	GN 751-6-12-M6-B	6	12	M6	12	6	10	24	31	9	20
DIN 71752-6-12-M6	GN 751-6-12-M6-SL	6	12	M6	12	6	10	24	31	9	20
DIN 71752-6-12-M6L	GN 751-6-12-M6L-KL	6	12	M6L	12	6	10	24	31	9	20
DIN 71752-6-12-M6L	GN 751-6-12-M6L-B	6	12	M6L	12	6	10	24	31	9	20
DIN 71752-6-12-M6L	GN 751-6-12-M6L-SL	6	12	M6L	12	6	10	24	31	9	20
DIN 71752-6-24-M6	GN 751-6-24-M6-KL	6	24	M6	12	6	10	36	43	9	20
DIN 71752-6-24-M6	GN 751-6-24-M6-B	6	24	M6	12	6	10	36	43	9	25
DIN 71752-6-24-M6	GN 751-6-24-M6-SL	6	24	M6	12	6	10	36	43	9	20
DIN 71752-6-24-M6L	GN 751-6-24-M6L-KL	6	24	M6L	12	6	10	36	43	9	20
DIN 71752-6-24-M6L	GN 751-6-24-M6L-B	6	24	M6L	12	6	10	36	43	9	25
DIN 71752-6-24-M6L	GN 751-6-24-M6L-SL	6	24	M6L	12	6	10	36	43	9	20

Standard Elements		Main dimensions									
Off pin	Complete										
Description	Description	d1 H8/h11	l1	d2	a	b	d3	l2	l3	l4	g
DIN 71752-8-16-M8	GN 751-8-16-M8-KL	8	16	M8	16	8	14	32	42	12	45
DIN 71752-8-16-M8	GN 751-8-16-M8-B	8	16	M8	16	8	14	32	42	12	50
DIN 71752-8-16-M8	GN 751-8-16-M8-SL	8	16	M8	16	8	14	32	42	12	45
DIN 71752-8-16-M8F	GN 751-8-16-M8F-KL	8	16	M8F=M8x1	16	8	14	32	42	12	45
DIN 71752-8-16-M8F	GN 751-8-16-M8F-B	8	16	M8F=M8x1	16	8	14	32	42	12	50
DIN 71752-8-16-M8F	GN 751-8-16-M8F-SL	8	16	M8F=M8x1	16	8	14	32	42	12	45
DIN 71752-8-16-M8L	GN 751-8-16-M8L-KL	8	16	M8L	16	8	14	32	42	12	45
DIN 71752-8-16-M8L	GN 751-8-16-M8L-B	8	16	M8L	16	8	14	32	42	12	50
DIN 71752-8-16-M8L	GN 751-8-16-M8L-SL	8	16	M8L	16	8	14	32	42	12	45
DIN 71752-8-32-M8	GN 751-8-32-M8-KL	8	32	M8	16	8	14	48	58	12	60
DIN 71752-8-32-M8	GN 751-8-32-M8-B	8	32	M8	16	8	14	48	58	12	65
DIN 71752-8-32-M8	DIN 751-8-32-M8-SL	8	32	M8	16	8	14	48	58	12	60
DIN 71752-8-32-M8F	GN 751-8-32-M8F-KL	8	32	M8F=M8x1	16	8	14	48	58	12	60
DIN 71752-8-32-M8F	GN 751-8-32-M8F-B	8	32	M8F=M8x1	16	8	14	48	58	12	65
DIN 71752-8-32-M8F	GN 751-8-32-M8F-SL	8	32	M8F=M8x1	16	8	14	48	58	12	60
DIN 71752-8-32-M8L	GN 751-8-32-M8L-KL	8	32	M8L	16	8	14	48	58	12	65
DIN 71752-8-32-M8L	GN 751-8-32-M8L-B	8	32	M8L	16	8	14	48	58	12	65
DIN 71752-8-32-M8L	GN 751-8-32-M8L-SL	8	32	M8L	16	8	14	48	58	12	65
DIN 71752-10-20-M10	GN 751-10-20-M10-KL	10	20	M10	20	10	18	40	52	15	90
DIN 71752-10-20-M10	GN 751-10-20-M10-B	10	20	M10	20	10	18	40	52	15	90
DIN 71752-10-20-M10	GN 751-10-20-M10-SL	10	20	M10	20	10	18	40	52	15	90
DIN 71752-10-20-M10F	GN 751-10-20-M10F-KL	10	20	M10F=M10x1.25	20	10	18	40	60	15	90
DIN 71752-10-20-M10F	GN 751-10-20-M10F-B	10	20	M10F=M10x1.25	20	10	18	40	52	15	90
DIN 71752-10-20-M10F	GN 751-10-20-M10F-SL	10	20	M10F=M10x1.25	20	10	18	40	52	15	90
DIN 71752-10-20-M10L	GN 751-10-20-M10L-KL	10	20	M10L	20	10	18	40	52	15	90
DIN 71752-10-20-M10L	GN 751-10-20-M10L-B	10	20	M10L	20	10	18	40	52	15	90
DIN 71752-10-20-M10L	GN 751-10-20-M10L-SL	10	20	M10L	20	10	18	40	52	15	90
DIN 71752-10-40-M10	GN 751-10-40-M10-KL	10	40	M10	20	10	18	60	72	15	120
DIN 71752-10-40-M10	GN 751-10-40-M10-B	10	40	M10	20	10	18	60	72	15	120
DIN 71752-10-40-M10	GN 751-10-40-M10-SL	10	40	M10	20	10	18	60	72	15	120
DIN 71752-10-40-M10F	GN 751-10-40-M10F-KL	10	40	M10F=M10x1.25	20	10	18	60	72	15	120
DIN 71752-10-40-M10F	GN 751-10-40-M10F-B	10	40	M10F=M10x1.25	20	10	18	60	72	15	120
DIN 71752-10-40-M10F	GN 751-10-40-M10F-SL	10	40	M10F=M10x1.25	20	10	18	40	60	15	90
DIN 71752-10-40-M10L	GN 751-10-40-M10L-KL	10	40	M10L	20	10	18	60	72	15	120
DIN 71752-10-40-M10L	GN 751-10-40-M10L-B	10	40	M10L	20	10	18	60	72	15	120
DIN 71752-10-40-M10L	GN 751-10-40-M10L-SL	10	40	M10L	20	10	18	60	72	15	120
DIN 71752-12-24-M12	GN 751-12-24-M12-KL	12	24	M12	24	12	20	48	62	18	144
DIN 71752-12-24-M12	GN 751-12-24-M12-B	12	24	M12	24	12	20	48	62	18	150
DIN 71752-12-24-M12	GN 751-12-24-M12-SL	12	24	M12	24	12	20	48	62	18	144
DIN 71752-12-24-M12F	GN 751-12-24-M12F-KL	12	24	M12F=M12x1.25	24	12	20	48	62	18	144
DIN 71752-12-24-M12F	GN 751-12-24-M12F-B	12	24	M12F=M12x1.25	24	12	20	48	62	18	150
DIN 71752-12-24-M12F	GN 751-12-24-M12F-SL	12	24	M12F=M12x1.25	24	12	20	48	62	18	144
DIN 71752-12-24-M12L	GN 751-12-24-M12L-KL	12	24	M12L	24	12	20	48	62	18	144
DIN 71752-12-24-M12L	GN 751-12-24-M12L-B	12	24	M12L	24	12	20	48	62	18	150
DIN 71752-12-24-M12L	GN 751-12-24-M12L-SL	12	24	M12L	24	12	20	48	62	18	144

Standard Elements		Main dimensions									
Off pin	Complete										
Description	Description	d1 H8/h11	l1	d2	a	b	d3	l2	l3	l4	g
DIN 71752-12-48-M12	GN 751-12-48-M12-KL	12	48	M12	24	12	20	72	86	18	192
DIN 71752-12-48-M12	GN 751-12-48-M12-B	12	48	M12	24	12	20	72	86	18	200
DIN 71752-12-48-M12	GN 751-12-48-M12-SL	12	48	M12	24	12	20	72	86	18	192
DIN 71752-12-48-M12F	GN 751-12-48-M12F-KL	12	48	M12F=M12x1.25	24	12	20	72	86	18	192
DIN 71752-12-48-M12F	GN 751-12-48-M12F-B	12	48	M12F=M12x1.25	24	12	20	72	86	18	200
DIN 71752-12-48-M12F	GN 751-12-48-M12F-SL	12	48	M12F=M12x1.25	24	12	20	72	86	18	192
DIN 71752-12-48-M12L	GN 751-12-48-M12L-KL	12	48	M12L	24	12	20	72	86	18	192
DIN 71752-12-48-M12L	GN 751-12-48-M12L-B	12	48	M12L	24	12	20	72	86	18	200
DIN 71752-14-28-M14	GN 751-14-28-M14-SL	12	48	M12L	24	12	20	72	86	18	192
DIN 71752-14-28-M14	GN 751-14-28-M14-KL	14	28	M14	27	14	24	56	72	22.5	220
DIN 71752-14-28-M14	GN 751-14-28-M14-B	14	28	M14	27	14	24	56	72	22.5	218
DIN 71752-14-28-M14	GN 751-14-28-M14-SL	14	28	M14	27	14	24	56	72	22.5	220
DIN 71752-14-28-M14F	GN 751-14-28-M14F-KL	14	28	M14F=M14x1.5	27	14	24	56	72	22.5	220
DIN 71752-14-28-M14F	GN 751-14-28-M14F-B	14	28	M14F=M14x1.5	27	14	24	56	72	22.5	218
DIN 71752-14-28-M14F	GN 751-14-28-M14F-SL	14	28	M14F=M14x1.5	27	14	24	56	72	22.5	220
DIN 71752-14-28-M14L	GN 751-14-28-M14L-KL	14	28	M14L	27	14	24	56	72	22.5	220
DIN 71752-14-28-M14L	GN 751-14-28-M14L-B	14	28	M14L	27	14	24	65	72	22.5	218
DIN 71752-14-28-M14L	GN 751-14-28-M14L-SL	14	28	M14L	27	14	24	56	72	22.5	220
DIN 71752-14-56-M14	GN 751-14-56-M14-KL	14	56	M14	27	14	24	85	101	22.5	290
DIN 71752-14-56-M14	GN 751-14-56-M14-B	14	56	M14	27	14	24	85	101	22.5	300
DIN 71752-14-56-M14	GN 751-14-56-M14-SL	14	56	M14	27	14	24	85	101	22.5	290
DIN 71752-14-56-M14F	GN 751-14-56-M14F-KL	14	58	M14F=M14x1.5	27	14	24	85	101	22.5	290
DIN 71752-14-56-M14F	GN 751-14-56-M14F-B	14	56	M14F=M14x1.5	27	14	24	85	101	22.5	300
DIN 71752-14-56-M14F	GN 751-14-56-M14F-SL	14	58	M14F=M14x1.5	27	14	24	85	101	22.5	290
DIN 71752-14-56-M14L	GN 751-14-56-M14L-KL	14	56	M14L	27	14	24	85	101	22.5	290
DIN 71752-14-56-M14L	GN 751-14-56-M14L-B	14	56	M14L	27	14	24	85	101	22.5	300
DIN 71752-14-56-M14L	GN 751-14-56-M14L-SL	14	56	M14L	27	14	24	85	101	22.5	290
DIN 71752-16-32-M16	GN 751-16-32-M16-KL	16	32	M16	32	16	26	64	83	24	335
DIN 71752-16-32-M16	GN 751-16-32-M16-B	16	32	M16	32	16	26	64	83	24	340
DIN 71752-16-32-M16	GN 751-16-32-M16-SL	16	32	M16	32	16	26	64	83	24	335
DIN 71752-16-32-M16F	GN 751-16-32-M16F-KL	16	32	M16F=M16x1.5	32	16	26	64	83	24	335
DIN 71752-16-32-M16F	GN 751-16-32-M16F-B	16	32	M16F=M16x1.5	32	16	26	64	83	24	340
DIN 71752-16-32-M16F	GN 751-16-32-M16F-SL	16	32	M16F=M16x1.5	32	16	26	64	83	24	335
DIN 71752-16-32-M16L	GN 751-16-32-M16L-KL	16	32	M16L	32	16	26	64	83	24	335
DIN 71752-16-32-M16L	GN 751-16-32-M16L-B	16	32	M16L	32	16	26	64	83	24	340
DIN 71752-16-32-M16L	GN 751-16-32-M16L-SL	16	32	M16L	32	16	26	64	83	24	335
DIN 71752-16-64-M16	GN 751-16-64-M16-KL	16	64	M16	32	16	26	64	115	24	470
DIN 71752-16-64-M16	GN 751-16-64-M16-B	16	64	M16	32	16	26	96	115	24	460
DIN 71752-16-64-M16	GN 751-16-64-M16-SL	16	64	M16	32	16	26	64	115	24	470
DIN 71752-16-64-M16F	GN 751-16-64-M16F-KL	16	64	M16F=M16x1.5	115	96	64	24	32	16	470
DIN 71752-16-64-M16F	GN 751-16-64-M16F-B	16	64	M16F=M16x1.5	32	16	64	96	115	24	460
DIN 71752-16-64-M16F	GN 751-16-64-M16F-SL	16	64	M16F=M16x1.5	115	96	64	24	32	16	470
DIN 71752-16-64-M16L	GN 751-16-64-M16L-A	16	64	M16L	32	16	26	96	115	24	470
DIN 71752-16-64-M16L	GN 751-16-64-M16L-B	16	64	M16L	32	16	26	96	115	24	460
DIN 71752-16-64-M16L	GN 751-16-64-M16L-SL	16	64	M16L	32	16	26	96	115	24	470
DIN 71752-20-40-M20	GN 751-20-40-M20-KL	20	40	M20	40	20	34	80	105	30	800
DIN 71752-20-40-M20L	GN 751-20-40-M20L-KL	20	40	M20L	40	20	34	80	105	30	800