

GN 648.2

EXTENDED RANGE

Ball joints with threaded stud

RoHS

- **Housing**

Zinc-plated steel, blue passivated.

- **Internal ring**

Hardened, ground and polished steel.

- **Bearing socket**

- Type **N** (lubrication possible): brass.

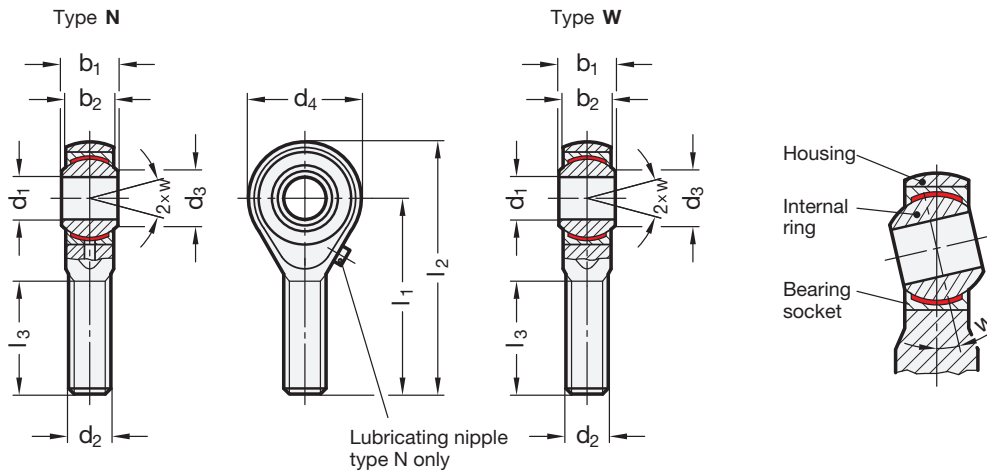
- Type **W** (self lubricated): zinc-plated steel with PTFE-insert.

Other standard executions available

Ball joints DIN ISO 12240-0, series E (narrow model) on request.

Features and applications

Ball joints GN 648.2 are similar to DIN ISO 12240-4, series K (formerly DIN 648 K).



10

470

Joints

Standard Elements	Main dimensions										\triangle
Description	d1 H7	d2	b1	b2	d3	d4	l1	l2	l3	w	g
GN 648.2-5-M5-N *	5	M5	8	6	7.7	18	33	42	20	13°	15
GN 648.2-5-M5-W	5	M5	8	6	7.7	18	33	42	20	13°	15
GN 648.2-5-M5L-N	5	M5L	8	6	7.7	18	33	42	20	13°	15
GN 648.2-5-M5L-W	5	M5L	8	6	7.7	18	33	42	20	13°	15
GN 648.2-6-M6-N	6	M6	9	6.75	8.9	20	36	46	22	13°	15
GN 648.2-6-M6-W	6	M6	9	6.75	8.9	20	36	46	22	13°	20
GN 648.2-6-M6L-N	6	M6L	9	6.75	8.9	20	36	46	22	13°	20
GN 648.2-6-M6L-W	6	M6L	9	6.75	8.9	20	36	46	22	13°	20
GN 648.2-8-M8-N	8	M8	12	9	10.4	24	42	54	25	14°	46
GN 648.2-8-M8-W	8	M8	12	9	10.4	24	42	54	25	14°	40
GN 648.2-8-M8L-N	8	M8L	12	9	10.4	24	42	54	25	14°	40
GN 648.2-8-M8L-W	8	M8L	12	9	10.4	24	42	54	25	14°	35
GN 648.2-10-M10-N	10	M10	14	10.5	12.9	28	48	62	29	13°	60
GN 648.2-10-M10-W	10	M10	14	10.5	12.9	28	48	62	29	13°	60
GN 648.2-10-M10L-N	10	M10L	14	10.5	12.9	28	48	62	29	13°	60
GN 648.2-10-M10L-W	10	M10L	14	10.5	12.9	28	48	62	29	13°	60
GN 648.2-12-M12-N	12	M12	16	12	15.4	32	54	70	33	13°	95
GN 648.2-12-M12-W	12	M12	16	12	15.4	32	54	70	33	13°	90
GN 648.2-12-M12L-N	12	M12L	16	12	15.4	32	54	70	33	13°	95
GN 648.2-12-M12L-W	12	M12L	16	12	15.4	32	54	70	33	13°	90
GN 648.2-14-M14-N	14	M14	19	13.5	16.8	36	60	78	38	16°	140
GN 648.2-14-M14-W	14	M14	19	13.5	16.8	36	60	78	38	16°	130
GN 648.2-14-M14L-N	14	M14L	19	13.5	16.8	36	60	78	38	16°	145
GN 648.2-14-M14L-W	14	M14L	19	13.5	16.8	36	60	78	38	16°	135
GN 648.2-16-M16-N	16	M16	21	15	19.3	42	66	87	40	15°	205
GN 648.2-16-M16-W	16	M16	21	15	19.3	42	66	87	40	15°	200
GN 648.2-16-M16L-N	16	M16L	21	15	19.3	42	66	87	40	15°	205
GN 648.2-16-M16L-W	16	M16L	21	15	19.3	42	66	87	40	15°	205
GN 648.2-18-M18x1.5-N	18	M18x1.5	23	16.5	21.8	46	72	95	44	15°	275
GN 648.2-18-M18x1.5-W	18	M18x1.5	23	16.5	21.8	46	72	95	44	15°	270
GN 648.2-18-M18x1.5L-N	18	M18x1.5L	23	16.5	21.8	46	72	95	44	15°	290
GN 648.2-18-M18x1.5L-W	18	M18x1.5L	23	16.5	21.8	46	72	95	44	15°	270
GN 648.2-20-M20x1.5-N	20	M20x1.5	25	18	24.3	50	78	103	47	14°	355
GN 648.2-20-M20x1.5-W	20	M20x1.5	25	18	24.3	50	78	103	47	14°	355
GN 648.2-20-M20x1.5L-N	20	M20x1.5L	25	18	24.3	50	78	103	47	14°	375
GN 648.2-20-M20x1.5L-W	20	M20x1.5L	25	18	24.3	50	78	103	47	14°	355
GN 648.2-22-M22x1.5-N	22	M22x1.5	28	20	25.8	54	84	111	51	15°	470
GN 648.2-22-M22x1.5-W	22	M22x1.5	28	20	25.8	54	84	111	51	15°	455
GN 648.2-22-M22x1.5L-N	22	M22x1.5L	28	20	25.8	54	84	111	51	15°	475
GN 648.2-22-M22x1.5L-W	22	M22x1.5L	28	20	25.8	54	84	111	51	15°	460
GN 648.2-25-M24x2-N	25	M24x2	31	22	29.6	60	94	124	58	15°	615
GN 648.2-25-M24x2-W	25	M24x2	31	22	29.6	60	94	124	58	15°	605
GN 648.2-25-M24x2L-N	25	M24x2L	31	22	29.6	60	94	124	58	15°	620
GN 648.2-25-M24x2L-W	25	M24x2L	31	22	29.6	60	94	124	58	15°	610
GN 648.2-30-M30x2-W	30	M30x2	37	25	34.8	70	110	145	71	17°	1020
GN 648.2-30-M30x2L-W	30	M30x2L	37	25	34.8	70	110	145	71	17°	1050

* no lubrication possible.