

Forks



Material

Glass-fibre reinforced polyamide based (PA) technopolymer. Resistant to solvents, oils, greases and other chemicals.

Standard executions

- **FJT+PC**: with clip pin.
- **FJT+S**: with pin and seeger ring.

Assembly

Threaded hole.

Features and applications

FJT. forks are remarkably suitable for actuation even of pneumatic cylinders, when water and humidity are present (totally corrosion resistant).

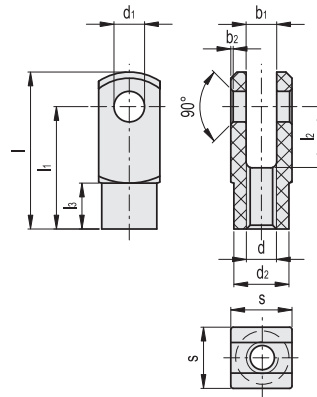
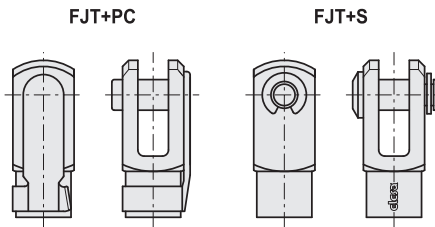
Features of the technopolymer forks:

- totally corrosion resistant even when humidity and chemicals are present;
- good mechanical strength to the applied loads;
- very low weight combined with high stiffness;
- resistant to continuous washing cycles with solvents and detergents, so they are suitable, for example, in applications in the food and pharmaceutical sectors;
- excellent shock-absorbing features.
- noise minimization;



Strength test	Max static load under traction		Max transverse load	
	short term [N]	continuous [N]	short term [N]	continuous [N]
FJT-M6	1300	650	300	150
FJT-M8	2100	1050	650	325
FJT-M10	3000	1500	800	400
FJT-M10x1.25	3000	1500	800	400
FJT-M12	3500	1750	900	450
FJT-M12x1.25	3500	1750	900	450
FJT-M14	6100	3050	1000	500

The strength values are the result of lab tests carried out under room temperature (23°).



Standard Elements		Main dimensions										△△
Code	Description	d6H	d1	d2	b1	b2	l	l1	l2	l3	s	g
470201	FJT-M6+PC	M6	6	10	6	0.5	31	24	12	9	12	4
470211	FJT-M8+PC	M8	8	14	8	0.5	42	32	16	12	16	9
470221	FJT-M10+PC	M10	10	18	10	0.5	52	40	20	15	20	16
470222	FJT-M10x1.25+PC	M10x1.25	10	18	10	0.5	52	40	20	15	20	16
470231	FJT-M12+PC	M12	12	20	12	0.5	62	48	24	18	24	28
470232	FJT-M12x1.25+PC	M12x1.25	12	20	12	0.5	62	48	24	18	24	28
470241	FJT-M14+PC	M14	14	24	14	0.5	72	56	28	22.5	27	42
470301	FJT-M6+S	M6	6	10	6	0.5	31	24	12	9	12	3
470311	FJT-M8+S	M8	8	14	8	0.5	42	32	16	12	16	8
470321	FJT-M10+S	M10	10	18	10	0.5	52	40	20	15	20	15
470322	FJT-M10x1.25+S	M10x1.25	10	18	10	0.5	52	40	20	15	20	15
470331	FJT-M12+S	M12	12	20	12	0.5	62	48	24	18	24	25
470332	FJT-M12x1.25+S	M12x1.25	12	20	12	0.5	62	48	24	18	24	25
470341	FJT-M14+S	M14	14	24	14	0.5	72	56	28	22.5	27	41