

## Rod ends



### Material

Glass-fibre reinforced polyamide based (PA) technopolymer. Resistant to solvents, oils, greases and other chemicals.

### Spherical cap

Polyamide-based self-lubricating technopolymer (PA). Resistant to solvents, oils, greases and other chemicals.

### Standard executions

- **BJT**: with threaded hole.
- **BJT-p**: with threaded pin.

### Features and applications

BJT. rod ends are remarkably suitable for rotary, oscillating and linear movements even in aggressive environments and when water or humidity, fine dusts, dirt, fabrics, machining residues are present.

The shaft rotary movement can take place directly on the inner diameter of the spherical cap, made of self-lubricating material.

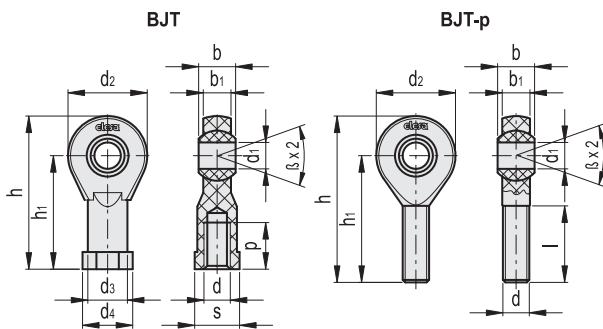
Features of the technopolymer rod ends:

- totally corrosion resistant even in the presence of chemicals;
- good mechanical strength to the applied loads;
- very low weight combined with high stiffness;
- maintenance free;
- compensation of possible misalignments;
- absorption of vibrations and transverse stresses;
- noise minimization.



Strength test	Max static load under traction		Max transverse load	
	short term [N]	continuous [N]	short term [N]	continuous [N]
BJT-M6	1400	700	400	200
BJT-M8	2100	1050	700	350
BJT-M10	3100	1550	800	400
BJT-M10x1.25	3100	1550	800	400
BJT-M12	3600	1800	900	450
BJT-M12x1.25	3600	1800	900	450
BJT-M14	4000	2000	1000	500
BJT-p-M6-36	1000	500	100	50
BJT-p-M8-42	1700	850	200	100
BJT-p-M10-48	2500	1250	300	150
BJT-p-M10x1.25-48	2500	1250	300	150
BJT-p-M12-54	2700	1350	400	200
BJT-p-M12x1.25-54	2700	1350	400	200
BJT-p-M14-61	3400	1700	700	350

The strength values are the result of lab tests carried out under room temperature (23°).



Standard Elements		Main dimensions										Thread max. tightening torque	Cap max. tightening torque	Thread min. depth	Max. oscillation angle $\beta$	$\Delta$	
Code	Description	d	p	d1 E10	d2	d3	d4	b	b1	h	h1	s	[Nm]	[Nm]	[mm]		g
470001	BJT-M6	M6	12	6	20	10	13	9	7	40	30	11	1.5	10	8	29°	5
470011	BJT-M8	M8	16	8	24	13	16	12	9	48	36	14	10	12	11	25°	9
470021	BJT-M10	M10	20	10	30	15	19	14	10.5	58	43	17	15	20	13	25°	15
470022	BJT-M10x1.25	M10x1.25	20	10	30	15	19	14	10.5	58	43	17	6	20	13	25°	15
470031	BJT-M12	M12	22	12	34	18	22	16	12	67	50	19	20	30	15	25°	20
470032	BJT-M12x1.25	M12x1.25	22	12	34	18	22	16	12	67	50	19	15	30	15	25°	20
470041	BJT-M14	M14	25	14	38	20	25	19	13.5	76	57	22	25	35	17	25°	31

Standard Elements		Main dimensions										Thread max. tightening torque	Cap max. tightening torque	Thread min. depth	Max. oscillation angle $\beta$	$\Delta$	
Code	Description	d	h1	l	d1 E10	d2	b	b1	h				[Nm]	[Nm]	[mm]		g
470101	BJT-p-M6-36	M6	36	21	6	20	9	7	46				0.5	10	15	29°	4
470111	BJT-p-M8-43	M8	43	25	8	24	12	9	55				2	12	18	25°	7
470121	BJT-p-M10-48	M10	48	28	10	30	14	10.5	63				5	20	20	25°	13
470122	BJT-p-M10x1.25-48	M10x1.25	48	28	10	30	14	10.5	63				3	20	20	25°	13
470131	BJT-p-M12-54	M12	54	32	12	34	16	12	71				6	30	22	25°	18
470132	BJT-p-M12x1.25-54	M12x1.25	54	32	12	34	16	12	71				6	30	22	25°	18
470141	BJT-p-M14-61	M14	61	36	14	38	19	13.5	80				12	35	25	25°	26