

# GN 52.4

## Retaining magnets

### • Specification

- Rod-shaped, with stud
- Housing, steel, zinc plated
- Type **D**: with smooth stud
- Type **E**: with threaded stud

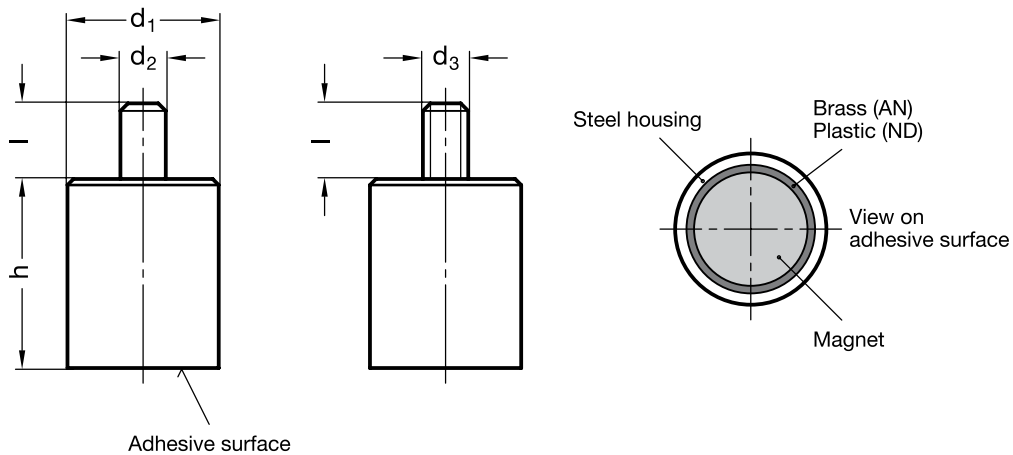
### • Materials of the magnet

- Aluminium, nickel, cobalt AlNiCo **AN**, temperature resistant up to 450° C
- Neodymium, iron, boron NdFeB **ND**, temperature resistant up to 80° C

### Features and applications

Retaining magnets GN 52.4 are a shielded magnetic system. The design version with smooth stud is designed for attachment with rivets.

Further details for retaining magnets see page 3 to 5.



Standard Elements	Main dimensions					Nominal adhesive forces in N	$\Delta$ g
	Description	d <sub>1</sub>	d <sub>2</sub> +0.2/-0.2	d <sub>3</sub>	h +0.2/-0.2		
GN 52.4-AN-6-3-D	6	3	-	20	8	2	5
GN 52.4-AN-8-3-D	8	3	-	20	8	4	8
GN 52.4-AN-10-4-D	10	4	-	20	8	8.5	13
GN 52.4-AN-13-4-D	13	4	-	20	8	12	21
GN 52.4-AN-16-5-D	16	5	-	20	8	20	32
GN 52.4-AN-20-6-D	20	6	-	25	8	40	59
GN 52.4-AN-25-8-D	25	8	-	35	10	60	128
GN 52.4-AN-32-10-D	32	10	-	40	10	160	220
GN 52.4-AN-40-15-D	40	15	-	50	20	240	468
GN 52.4-AN-50-18-D	50	18	-	60	25	400	872
GN 52.4-AN-63-20-D	63	20	-	65	30	660	1371
GN 52.4-AN-6-M3-E	6	-	M 3	20	7	2	5
GN 52.4-AN-8-M3-E	8	-	M 3	20	7	4	8
GN 52.4-AN-10-M4-E	10	-	M 4	20	8	8.5	13
GN 52.4-AN-13-M4-E	13	-	M 4	20	8	12	21
GN 52.4-AN-16-M4-E	16	-	M 4	20	10	20	31
GN 52.4-AN-20-M6-E	20	-	M 6	25	12	40	60
GN 52.4-AN-25-M6-E	25	-	M 6	35	10	60	125
GN 52.4-AN-32-M8-E	32	-	M 8	40	15	160	217
GN 52.4-AN-40-M8-E	40	-	M 8	50	15	240	458
GN 52.4-AN-50-M10-E	50	-	M 10	60	15	400	855
GN 52.4-AN-63-M12-E	63	-	M 12	65	20	660	1345
GN 52.4-ND-6-3-D	6	3	-	20	8	6	5
GN 52.4-ND-8-3-D	8	3	-	20	8	12	9
GN 52.4-ND-10-4-D	10	4	-	20	8	24	13
GN 52.4-ND-13-4-D	13	4	-	20	8	60	21
GN 52.4-ND-16-5-D	16	5	-	20	8	90	31
GN 52.4-ND-20-6-D	20	6	-	25	8	135	62
GN 52.4-ND-25-8-D	25	8	-	35	10	190	133
GN 52.4-ND-32-10-D	32	10	-	40	10	340	252
GN 52.4-ND-40-15-D*	40	15	-	50	20	600	-
GN 52.4-ND-50-18-D*	50	18	-	60	25	900	-
GN 52.4-ND-63-20-D*	63	20	-	65	30	1300	-
GN 52.4-ND-6-M3-E	6	-	M 3	20	7	6	5
GN 52.4-ND-8-M3-E	8	-	M 3	20	7	12	9
GN 52.4-ND-10-M4-E	10	-	M 4	20	8	24	14
GN 52.4-ND-13-M4-E	13	-	M 4	20	8	60	23
GN 52.4-ND-16-M4-E	16	-	M 4	20	10	90	33
GN 52.4-ND-20-M6-E	20	-	M 6	25	12	135	62
GN 52.4-ND-25-M6-E	25	-	M 6	35	10	190	127
GN 52.4-ND-32-M8-E	32	-	M 8	40	15	340	220
GN 52.4-ND-40-M8-E	40	-	M 8	50	15	600	461
GN 52.4-ND-50-M10-E	50	-	M 10	60	15	900	860
GN 52.4-ND-63-M12-E	63	-	M 12	65	20	1300	1350

\* This sizes and types are as a rule not available from stock and subject to a minimum quantity order.