

GN 900.5

Rotary plates

- **Material**

Anodised aluminium, natural colour.

- **Socket head cap screw**

Stainless steel, according to ISO 4762.

- **Features and applications**

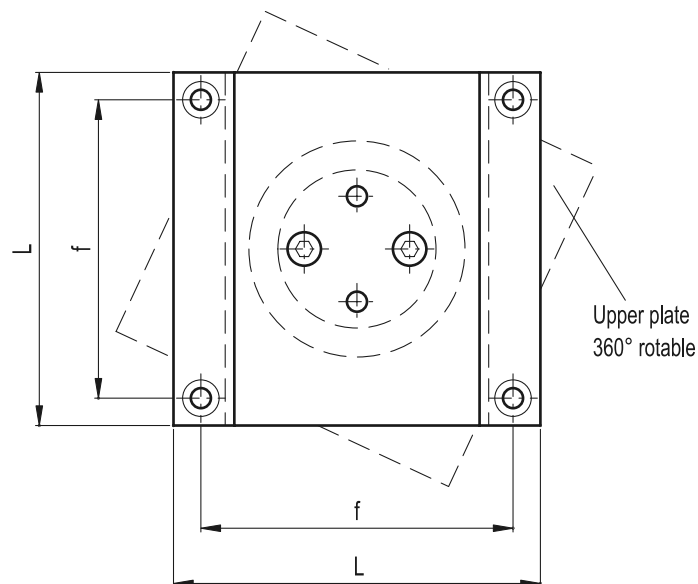
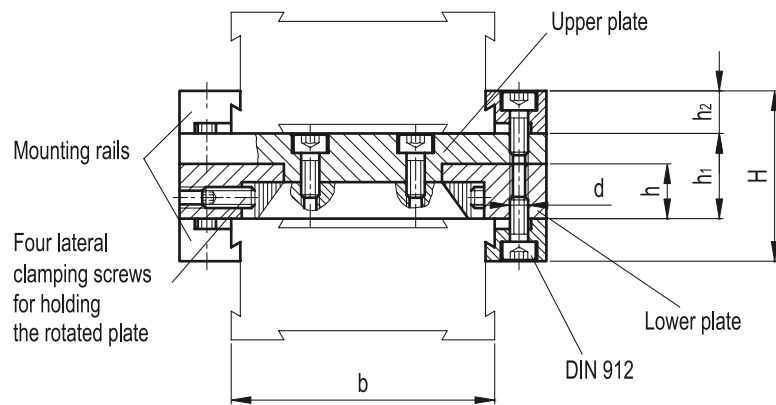
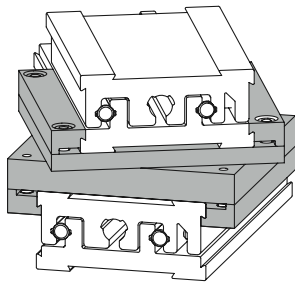
Rotary plates GN 900.5 allow rotation of one of the adjustable slide units at an off-set angle to the other. This possibility offers an additional axis configuration.

This alternative adaptor consists of two plates connected together in the centre so that they are rotatable. The lower plate is clamped to the lower sliding part while the upper one is clamped to the stationary base of the upper sliding unit.

The required parts include two fastening sets as well as the necessary socket head cap screws.



Assembly example



Standard Elements	Main dimensions								
Description	b	L	d	H	h	h ₁	h ₂	f	
GN 900.5-30-41	30	41	M2.5	18.4	6	10	4.2	35.4	
GN 900.5-50-67	50	67	M3	28	9	14	7	58	
GN 900.5-80-105	80	105	M4	39	9	14	12.5	92	
GN 900.5-120-145	120	145	M5	47.6	12	20	13.8	131.8	