

## Bearing head



- **Material**

Glass-fibre reinforced polyamide based (PA) technopolymer. Resistant to solvents, oils, greases and other chemical agents.

- **Colour**

Black, matte finish.

- **Clamping system**

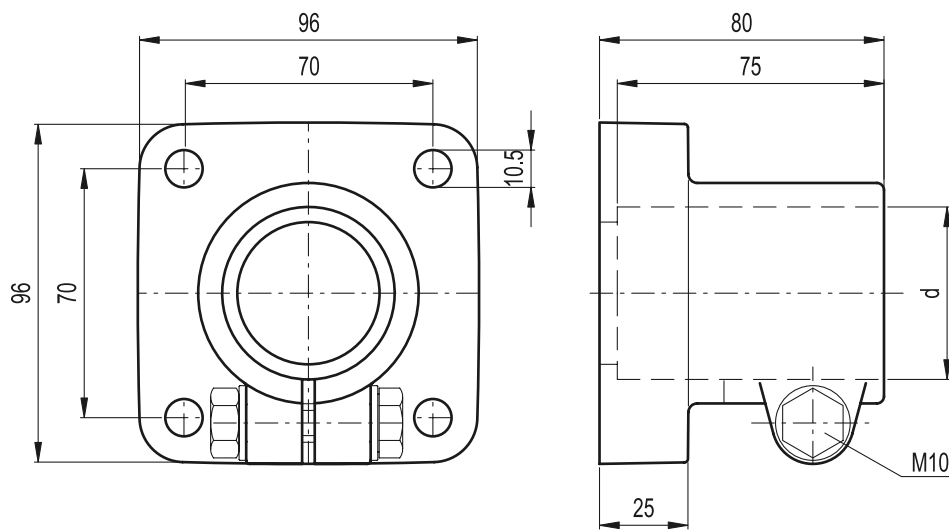
- Execution **A**: nut, M8 screw and washer in zinc-plated steel.
- Execution **SST**: nut, M8 screw and washer in AISI 304 stainless steel.



11

778

Flexible automation components



Standard Elements				Tube assembly hole		g
Execution A		Execution SST		d		
Code	Description	Code	Description	mm	inch (BSP/GAS)	
419650	TTA.48-A	419651	TTA.48-SST	48.3	1"1/2	260