



## Side mounting top bracket



### • Material

Glass-fibre reinforced polyamide based (PA) technopolymer. Resistant to solvents, oils, greases and other chemical agents.

### • Colour

Black, matte finish.

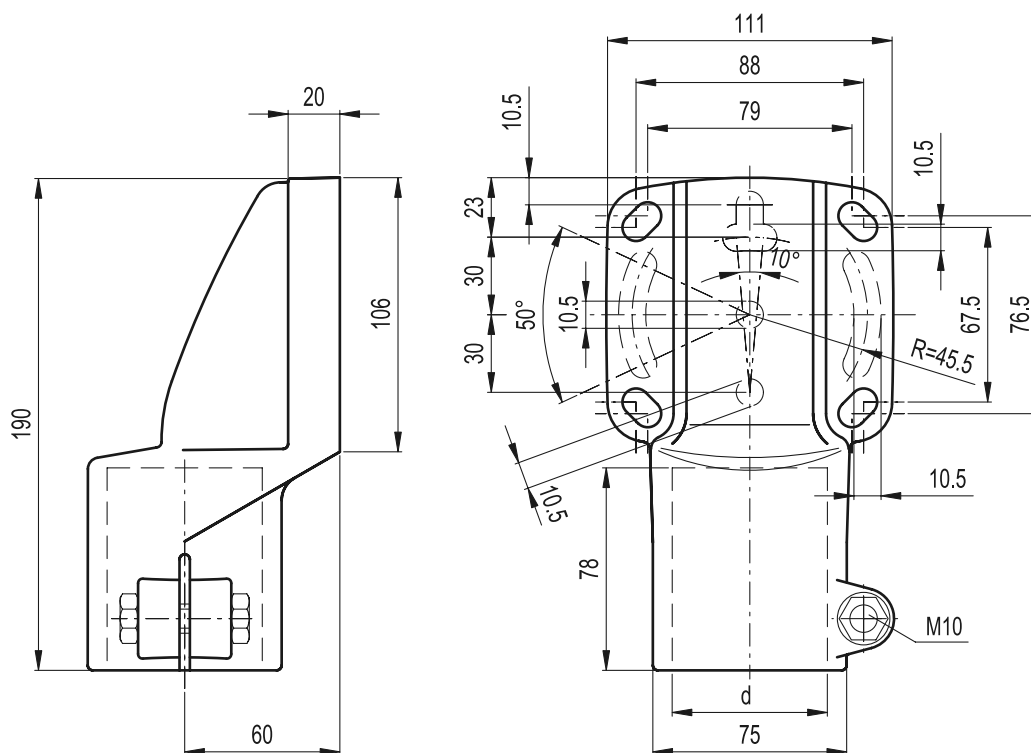
### • Clamping system

- Execution **A**: nut, M8 screw and washer in zinc-plated steel.

- Execution **SST**: nut, M8 screw and washer in AISI 304 stainless steel.

### Features and applications

The finish of the surfaces allows the best cleaning.



Standard Elements				Tube assembly hole		g
Execution A		Execution SST		d		
Code	Description	Code	Description	mm	inch (BSP/GAS)	
419794	TSLB-42-A	419795	TSLB-42-SST	42.4	1"1/4	435
419792	TSLB-48-A	419793	TSLB-48-SST	48.3	1"1/2	430
419790	TSLB-60-A	419791	TSLB-60-SST	60.3	2"	425
419796	TSLB-45x45-A	419797	TSLB-45x45-SST	45x45	-	430