

## Side mounting top bracket



- **Material**

Glass-fibre reinforced polyamide based (PA) technopolymer. Resistant to solvents, oils, greases and other chemical agents.

- **Colour**

Black, matte finish.

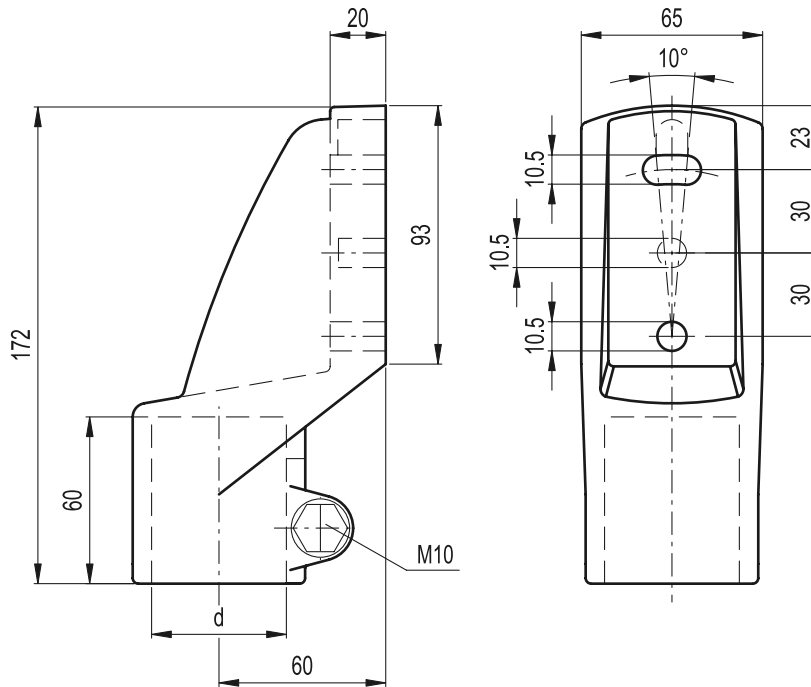
- **Clamping system**

- Execution **A**: nut, M8 screw and washer in zinc-plated steel.
- Execution **SST**: nut, M8 screw and washer in AISI 304 stainless steel.



11  
776

Flexible automation components



Standard Elements				Tube assembly hole		△△
Execution A		Execution SST		d		
Code	Description	Code	Description	mm	inch (BSP/GAS)	g
419648	TSLA-48-A	419649	TSLA-48-SST	48.3	1 1/2	320