

## Guide rail brackets for linear and angular positioning



### • Bracket

Glass-fibre reinforced polyamide based (PA) technopolymer. Resistant to solvents, oils, greases and other chemical agents. Hole for clamping system assembly.

### • Colour

Black, matte finish.

### • Guide rail cylinder

Glass-fibre reinforced technopolymer. Black colour, matte finish.

### • Clamping system

Nickel-plated AISI 431 stainless steel eye screw, nut and washer in AISI 304 stainless steel.

### Features and applications

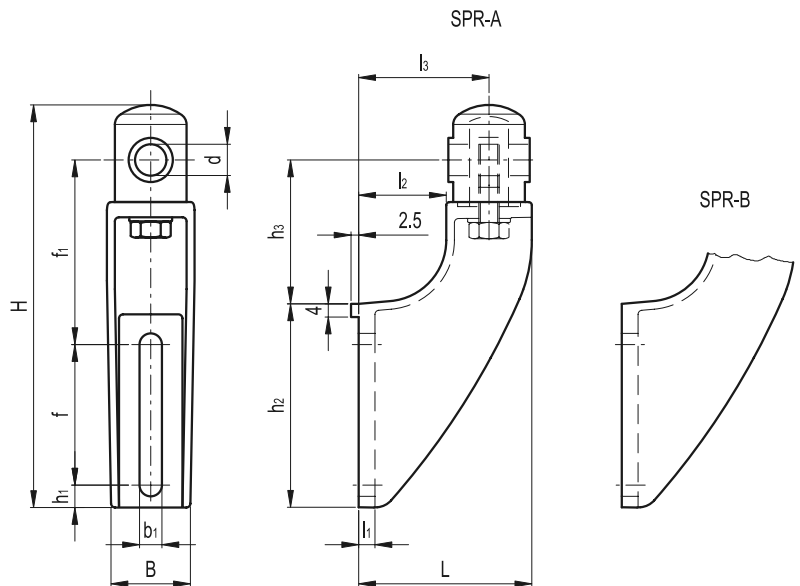
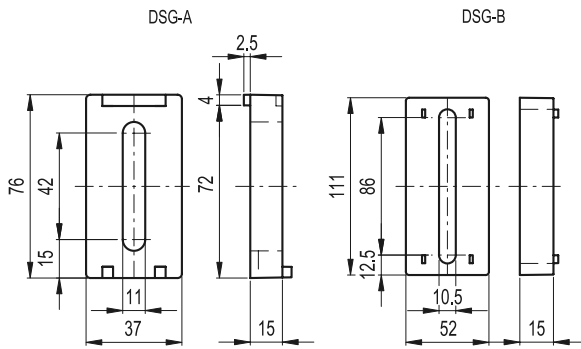
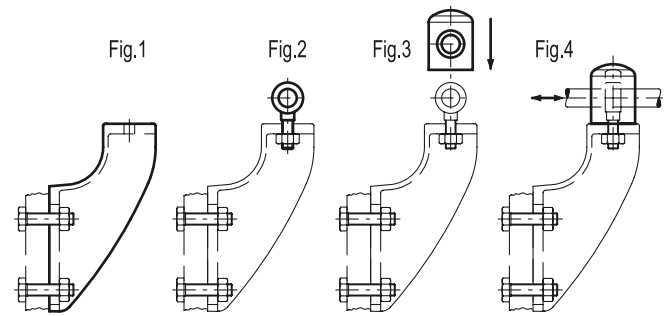
SPR. guide rail brackets are particularly suitable when a linear and angular positioning is required.

### Assembly instructions

- Fit the guide rail bracket (Fig. 1).
- Insert the eye screw in the guide rail support hole and screw the relevant nut and washer (Fig. 2).
- Assemble the guide rail cylinder on the eye (Fig. 3).
- Insert the guide pin in the guide rail cylinder hole. Set its linear and angular position and then fasten the nut (Fig. 4).

### Accessories on request

Spacer for guide rail bracket DSG-A (code 419676) or DSG-B (code 419677) in glass-fibre reinforced technopolymer, black colour, matte finish.



Standard Elements		Main dimensions											Guide assembly hole		$\Delta$
Code	Description	H	L	B	f	f <sub>1</sub>	b <sub>1</sub>	h <sub>1</sub>	h <sub>2</sub>	h <sub>3</sub>	l <sub>1</sub>	l <sub>2</sub>	l <sub>3</sub>	d	g
419760	SPR.12-A	158	70	37	42	78	11	15	76	60	8	30	50	12	176
419761	SPR.14-A	158	70	37	42	78	11	15	76	60	8	30	50	14	175
419762	SPR.16-A	158	70	37	42	78	11	15	76	60	8	30	50	16	174
419664	SPR.12-B	193	85	41	69	90	11	11	100	70	8	43	64	12	196
419665	SPR.14-B	193	85	41	69	90	11	11	100	70	8	43	64	14	195
419666	SPR.16-B	193	85	41	69	90	11	11	100	70	8	43	64	16	194