



Guide rail brackets for linear positioning



• Bracket

Glass-fibre reinforced polyamide based (PA) technopolymer. Resistant to solvents, oils, greases and other chemical agents. Housings for horizontal or vertical assembly of clamping system.

• Colour

Black, matte finish.

• Clamping system

AISI 431 stainless steel eye screw and AISI 304 stainless steel washer.

- **SPF.V**: with glass-fibre reinforced technopolymer clamping knob, black colour, matte finish. Nickel-plated brass insert with tapped hole and hexagonal end.

- **SPF.D**: with AISI 304 stainless steel clamping nut.

Features and applications

SPF. guide rail brackets with horizontal or vertical clamping system are particularly suitable when a linear positioning only is required.

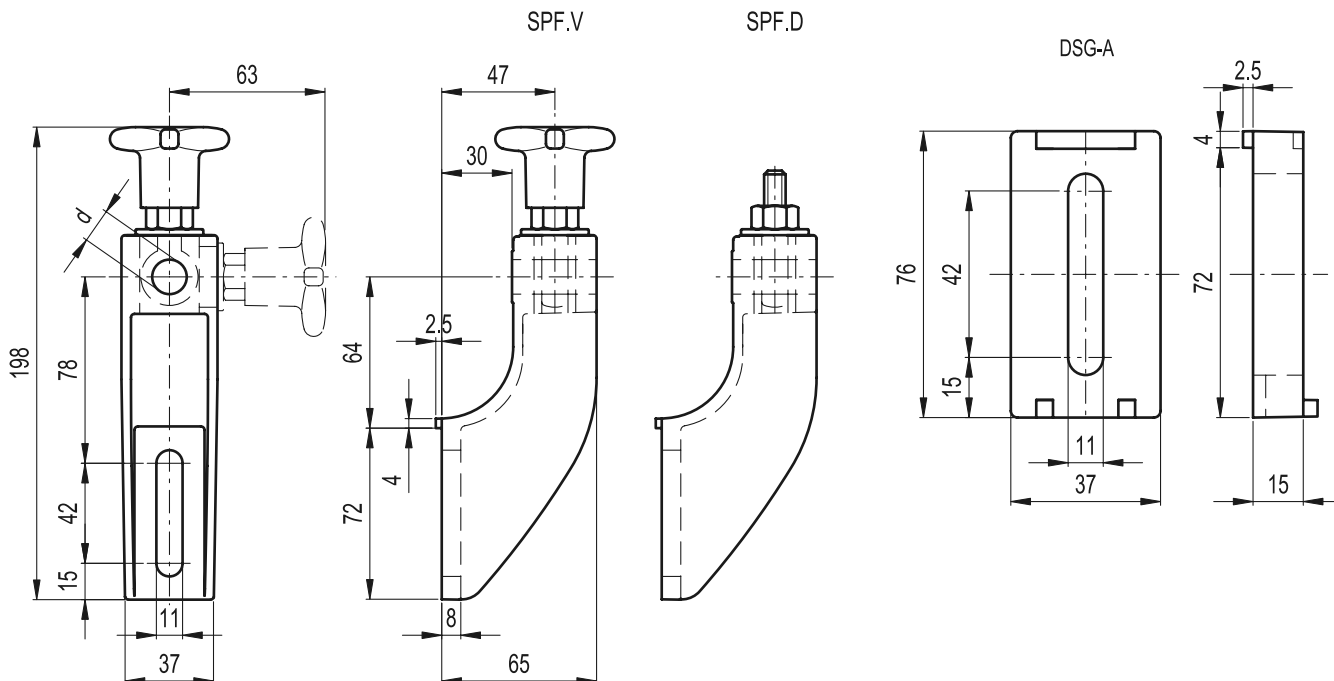
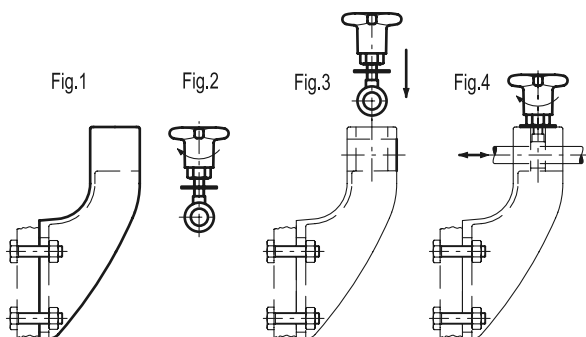
The vertical or horizontal positioning of the eye screw improve the assembly where necessary.

Assembly instructions

- Fit the guide rail bracket (Fig. 1).
- Insert the washer into the eye screw and screw either the knob or the nut (Fig. 2).
- Insert the eye in its housing either in the horizontal or vertical position (Fig. 3)
- Insert the guide pin in its clamping hole, set the linear positioning and then fasten (Fig. 4).

Accessories on request

Spacer for guide rail bracket DSG-A (code 419676), in glass-fibre reinforced technopolymer, black colour, matte finish.



Standard Elements		Guide assembly hole	△/△
Code	Description	d	g
419652	SPEV-12	12	195
419654	SPEV-14	14	190
419656	SPEV-16	16	185
419653	SPED-12	12	175
419655	SPED-14	14	170
419657	SPED-16	16	165