

## Connecting clamps



- **Base**  
Glass-fibre reinforced polyamide based (PA) technopolymer, black colour, matte finish.
- **Screw covers**  
Technopolymer in six colours, glossy finish. Supplied not assembled, push-fit assembly, removable by a screwdriver.  
Available also as accessories sold separately (see table below).

Code	Description	Caps for
440011-*	CC-MSR.60-*	MSR.60-B

\* Complete the code and the description by adding the index of the colour (C1,.....,C6).

- **T-shaped clamp**  
Glass-fibre reinforced technopolymer, black colour, matte finish.
- **Device clamps**  
Glass-fibre reinforced technopolymer, black colour, matte finish.
- **Connecting tubes**  
Aluminium profile available with standard lengths from 100 to 2000 mm. On request and for sufficient quantities other lengths are available.
- **Connecting tube closing caps**  
Glass-fibre reinforced technopolymer, black colour, matte finish (supplied not assembled). To be ordered also separately (code 440016 description TC13-MSR.60).

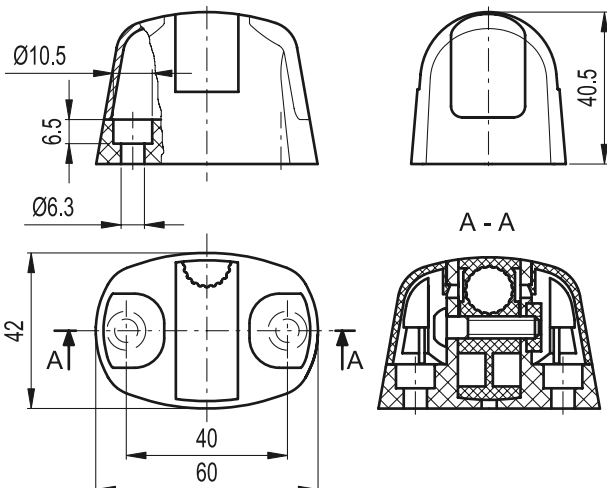
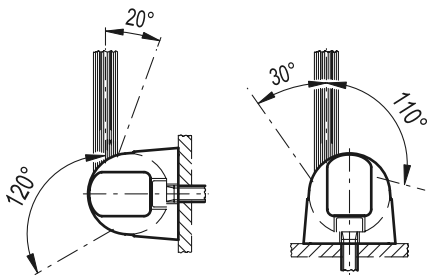
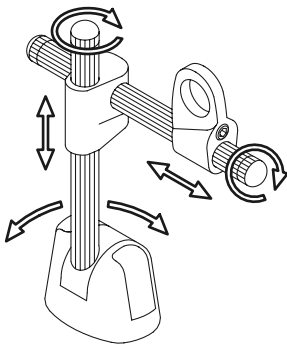
### Features and applications

MSR. connecting clamps have been designed with a particular system patented by ELESA, which allows an easy, quick and efficient connection between the components and prevents them from rotating freely. The system allows the axial, perpendicular or angled positioning of the connecting tube to the base.

### Advantages

- Profiled connecting tube preventing free rotation.
- Tube and components clamped by the aid of only one screw.
- Easy adjustments by five degrees of freedom of the clamped devices (see drawing).
- Lack of cavities to avoid the deposit of dirt and undesired substances.
- Easy identification of the clamped device thanks to the different coloured caps on the base.

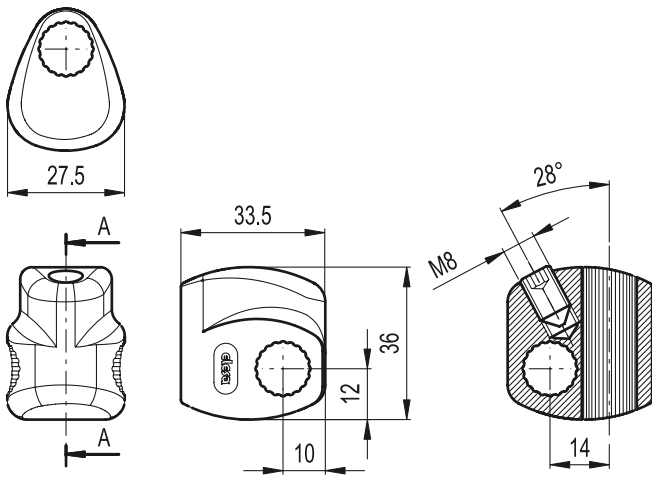
5 degrees of freedom



C2 RAL 2004 C3 RAL 7035 C4 RAL 1021 C5 RAL 5024 C6 RAL 3000 C9 RAL 9005

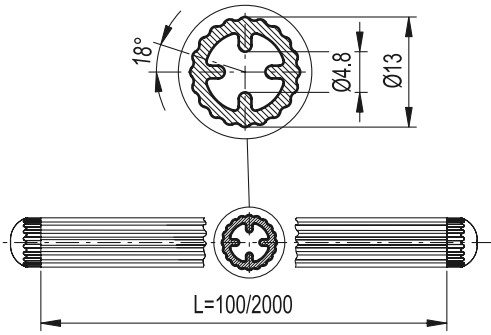
BASE		
Elesa Standards		△△
Code	Description	g
440001-*	MSR.60-B-*	50

\* Complete the code and the description of the base by adding the index of the colour of the screw covers (C1,.....,C6) ex: 440001-C2 MSR.60-B-C2.



## T-SHAPED CLAMP

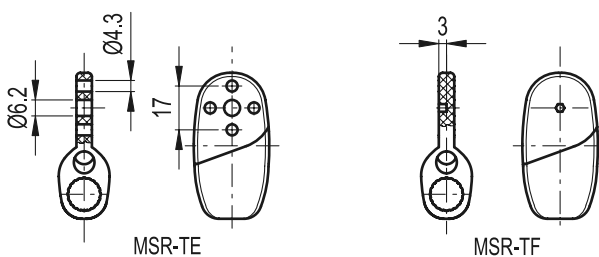
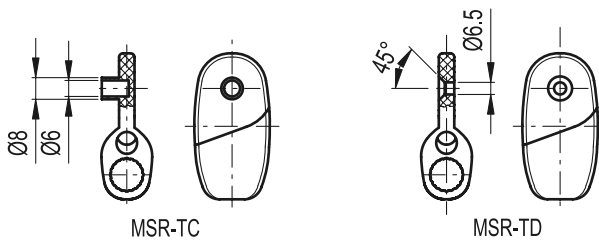
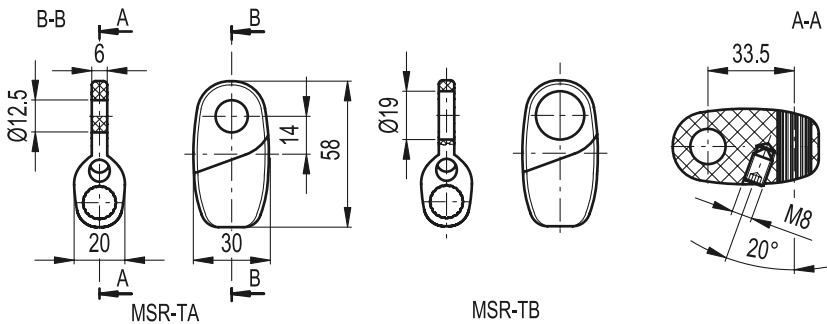
Elesa Standards		$\Delta/\Delta$
Code	Description	g
440021	MSR.60-C	19



## CONNECTING TUBES

Elesa Standards		$\Delta/\Delta$
Code	Description	g
440050	MSR.60-T13-100	20
440055	MSR.60-T13-150	28
440060	MSR.60-T13-200	36
440065	MSR.60-T13-250	44
440070	MSR.60-T13-300	52
440200*	MSR.60-T13-2000*	320

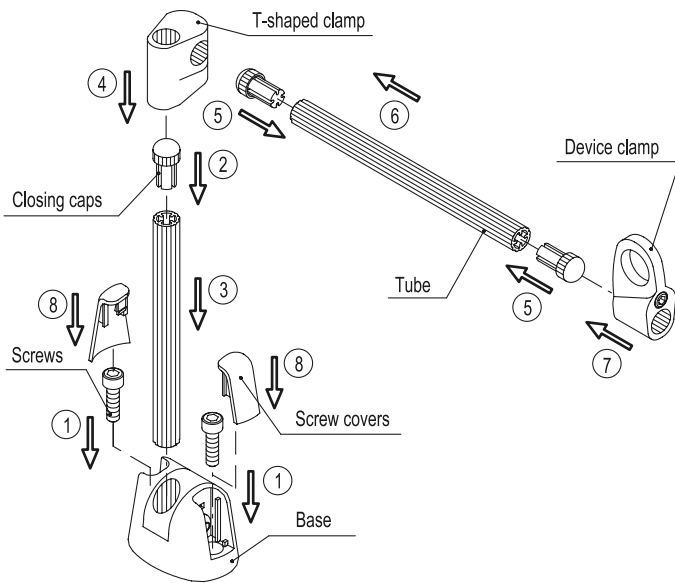
\* Supplied without closing caps.



## DEVICE CLAMPS

Elesa Standards		$\Delta/\Delta$
Code	Description	g
440031	MSR.60-TA	18
440032	MSR.60-TB	17
440033	MSR.60-TC	19
440034	MSR.60-TD	18
440035	MSR.60-TE	18
440036	MSR.60-TF	20

## Assembly instructions



## Assembly instructions

- 1 - Fit the base by means of 2 M6 cylindrical head screws with hexagon socket (not supplied).
- 2 - Fit one of the closing caps to the end of the connecting tube by tapping gently with a plastic mallet until firmly in place. Be careful not to assemble the cap to the end fitted to the base.
- 3 - Insert the connecting tube in the shaped hole of the base and clamp it by screwing the set screw. Suggested tightening torque 5 Nm.
- 4 - Insert the t-shaped clamp which allows the assembly of another connecting tube.
- 5 - Fit the closing caps to the connecting tube.
- 6 - Insert the connecting tube in the shaped hole of the t-shaped clamp.
- 7 - Fit on the connecting tube the proper device clamp, chosen within the six available. After the positioning of the components, clamp them by screwing the set screws. Suggested tightening torque 3 Nm. We recommend not to exceed this value.
- 8 - Once the adjustment has been set, fit the screw covers on the base.